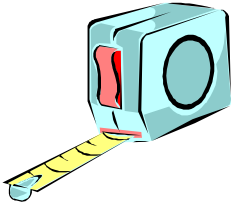


## HOW TO MEASURE

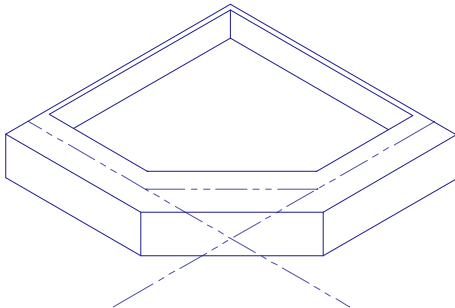
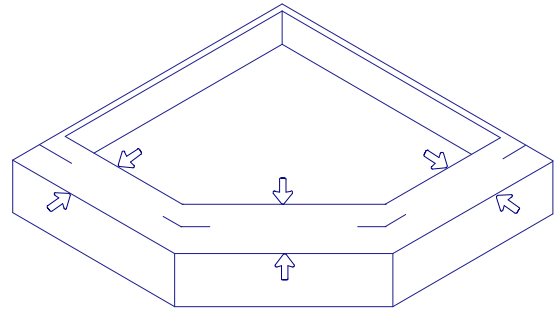


Measure along the *center* of the curb or sill.

Out of plumb walls require curb and top opening measurements.

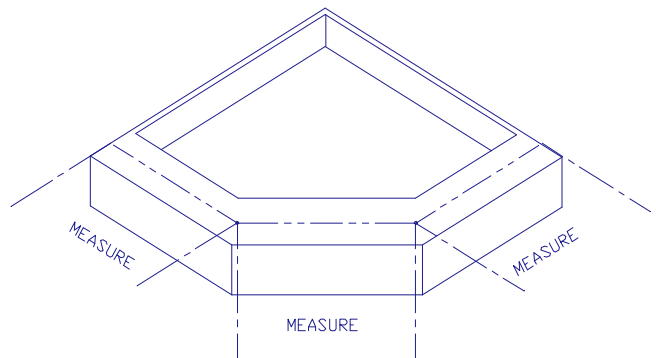
Measurements should be taken after the finish wall material has been installed.

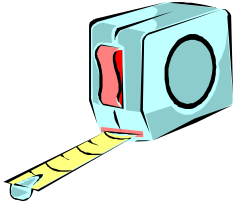
Measure the width of the sill. Mark the center of the sill lightly in pencil



Use a pencil and straight edge to draw the centerline on the sill.

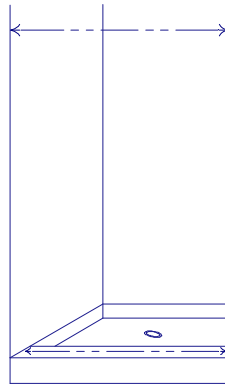
Measure along the centerline to the intersection of the lines. This is the centerline dimension.



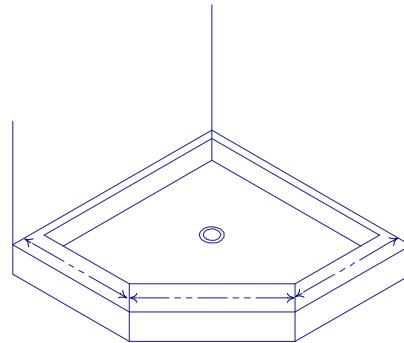


## WHERE TO MEASURE

Use these drawings as a general guide for measuring



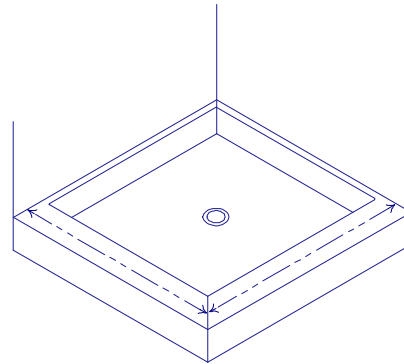
*STANDARD SHOWER STALL*



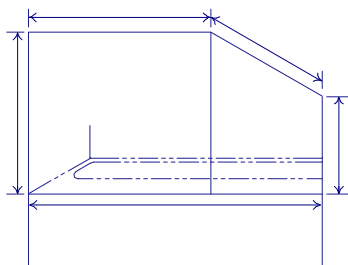
*NEO ANGLE SHOWER*



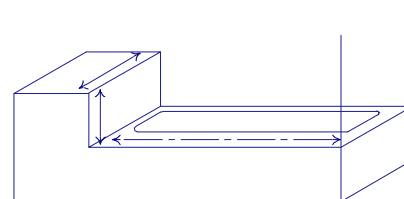
*BATHTUB*



*90 DEGREE CORNER SHOWER*



*TUB OR STALL WITH GABLE*



*TUB OR SHOWER WITH STUB WALL*