

Parts

- 1. Door
- 2. Wall Jamb
- 3. Transom Jamb
- 4. Panel Filler
- 5. Header
- 6. Strike Jamb
- 7. Wall Jamb
- 8. Threshold
- 9. Gutter
- 10. Gutter Vinyl

Qty.

- 1
- 1
- 1
- 1
- 1
- 2
- 1
- 1
- 1
- 1

Hardware Pack

- 11. Anchors
- 12. 10x2" Pan Head Screw
- 13. 8x5/8" Pan Head Screw
- 14. 6x3/4" Pan Head Screw
- 15. 6x3/8" Pan Head Screw
- 16. Gutter Plug
- 17. Setting Blocks

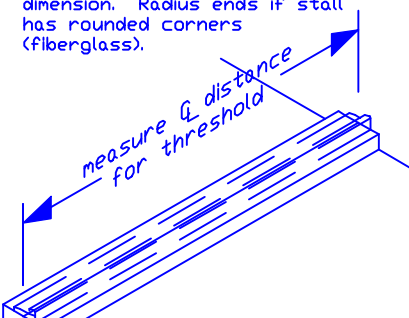
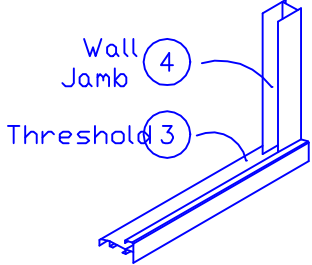
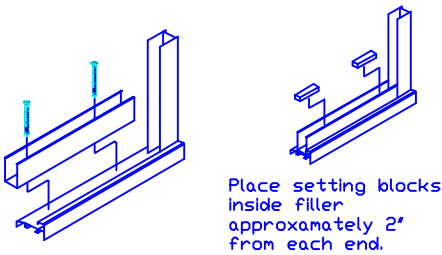
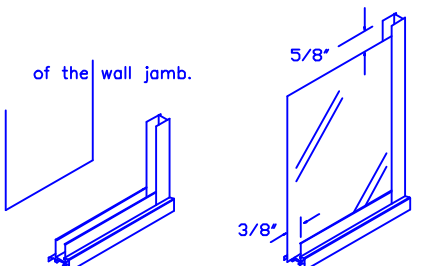
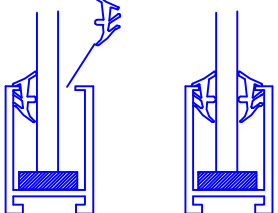
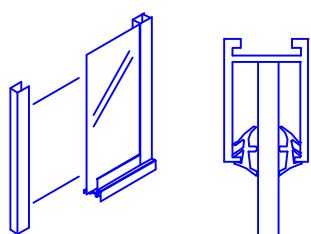
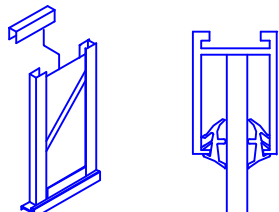
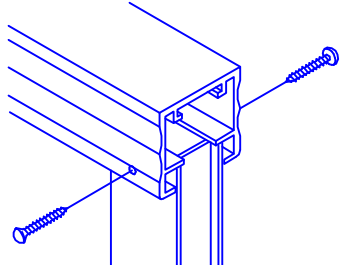
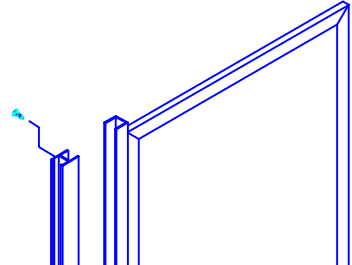
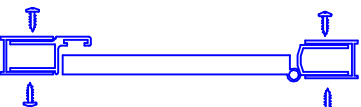
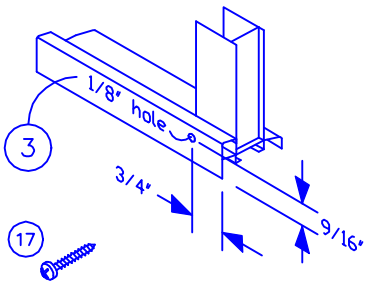
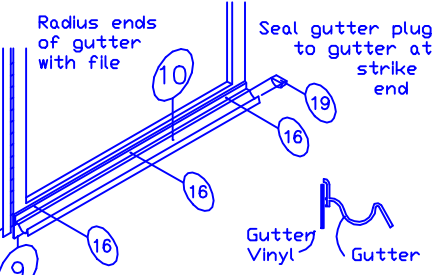
Qty.

- 6
- 6
- 2
- 9
- 15
- 1
- 6

**PRO PACK-12
WITH
MAGNETIC
STRIKE**

TOOLS REQUIRED FOR INSTALLATION OF MODEL PRO PACK-12 WITH MAGNETIC STRIKE:

1. Caulking gun + approved silicone sealant
2. Rubber mallet
3. Hacksaw
4. Philips screwdriver
5. Mill file to smooth cut edges or radius
6. 1/8" drill bit for 6x screws
7. 9/64" drill bit for 8x screws
8. 5/32" drill bit for 10x2 screws
9. 1/4" drill bit for plastic anchors
10. 1/4" carbide drill bit for tile anchors

<p>1 Measure finished opening width at bottom of stall. Cut threshold to this dimension. Radius ends if stall has rounded corners (fiberglass).</p> 	<p>2 Place wall jams on threshold and plumb. Mark hole locations and drill 1/4" holes for plastic anchors. Secure jams to wall with 10x2 screws.</p> 	<p>3 Place #11, filler on the threshold. Push filler tight up against wall jamb. Drill 9/64" holes through filler and threshold. Secure filler to threshold with #8-5/8" screws. Repeat for opposite side.</p> 
<p>4 Install panel glass into wall jamb and bottom channel. Adjust glass to extend out of filler approximately 3/8". Glass should be adjusted to be 5/8" lower than the top of the wall jamb.</p> 	<p>5 Install the tuck in vinyl along both sides of the glass where it meets the channel. The vinyl should run the full width of the bottom channel and come to within 1-1/8" of the top of the wall jamb. Repeat on opposite side.</p> 	<p>6 Position transition jamb over the edge of the glass. Install the tuck-in vinyl the length of the jamb to within 1-1/8" of the top of the jamb. Adjust the transition jamb as necessary to be plumb. Repeat on opposite side.</p> 
<p>7 Measure distance at top of glass and cut the filler to size. Position top filler over the top edge of the glass. Install the tuck-in vinyl the full length of the filler. Align the filler with the top of the jambs. Adjust filler as necessary to be level. Repeat on opposite side.</p> 	<p>8 Measure distance from wall to wall at top of assembly and cut header to fit. Place header over jams and top fillers. Then fasten with 6x3/4 screws.</p> 	<p>9 Place hinge portion of door into jamb in extended position. Drill and temporarily fasten with one sheet metal screw at the top.</p> 
<p>10 Insert strike jamb into wall jamb. Adjust door and strike to operate properly. Make final adjustments and secure jams together with #6x3/8" pan head screws. Three screws should be used on the inside and outside of each wall jamb.</p> 	<p>11 Locate and drill holes through threshold at wall jams as illustrated. Secure threshold to wall jams with one 6x3/4 screw at each end.</p> 	<p>12 Install gutter over gutter vinyl at door bottom with 6x3/8 screws. Be sure gutter slopes down to hinge end, and vinyl extends to within 1/8" of threshold.</p> 

NOTE: We recommend filling any sharp corners that may cause injury, then clean and run a continuous bead of sealant along the outside of threshold and up wall jams. Do not caulk inside of the unit.
Polarity of the magnet may be reversed. To change polarity, remove magnetic strip from strike jamb, turn end for end, and re-install.