

Parts

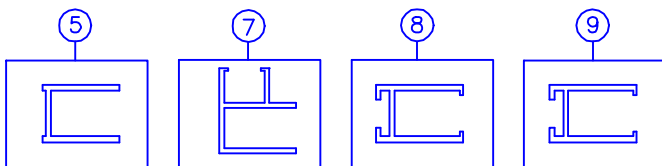
Part #

- 1. Door
- 2. Panel Glass
- 3. Header
- 4. Threshold
- 5. Wall Jamb
- 6. Strike Jamb
- 7. Corner Post
- 8. Wall Jamb
- 9. Panel Filler
- 10. Gutter
- 11. Gutter Vinyl

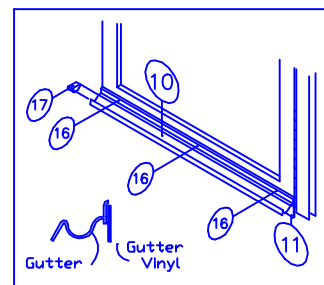
Hardware Pack

Qty.

- 12. Anchors
- 13. 10x2" Pan Head Screw
- 14. 8x5/8" Pan Head Screw
- 15. 6x3/4" Pan Head Screw
- 16. 6x3/8" Pan Head Screw
- 17. Gutter Plug
- 19. Setting Blocks
- 20. Splice Plate



Dia. A



INSTALLATION INSTRUCTIONS:

MODEL PRO PACK-3
WITH MAGNETIC STRIKE

1 Measure finished opening width at sill. Cut thresholds to length at square ends. Assemble thresholds with 90° splice plate and 6x3/8 screws. Position on sill.

2 Place wall jambs on thresholds and plumb. Mark hole locations and drill 1/4" holes for plastic anchors. Secure jambs to wall with 10x2 screws.

3 Place 90° post on centerline of threshold splice. Measure distance from panel wall jamb to 90° post and cut bottom filler to this length.

4 Drill 7/64" holes through the panel filler and threshold. Attach filler with two #8x5/8" pan head screws.

5 Place setting blocks inside the bottom channel.

END VIEW
SETTING BLOCK

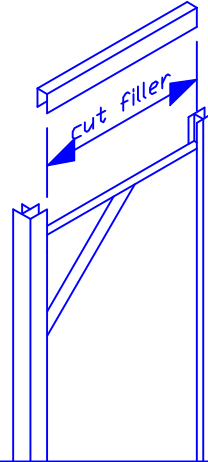
6 Adjust glass to extend out of filler 3/8". The glass should be adjusted to be 5/8" lower than the top of the wall jamb. Position the corner post in the corner of thresholds and over the edge of the glass. Hold in glass place by starting the tuck-in vinyl at the top of the corner post. Plumb the post and glass. Install tuck-in vinyl in wall jamb and bottom channel and corner post.

END VIEW
TUCK-IN VINYL

Position glass panel in wall jamb and bottom channel. Plumb glass and hold glass in place by starting the tuck in vinyl at the top of the wall jamb.

7

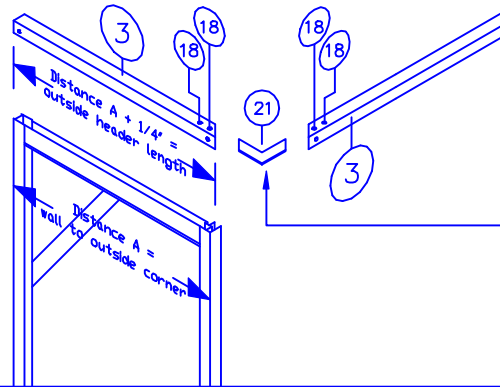
Measure inbetween jambs at the top of the panel glass. Cut filler to size and position over the top edge of the glass. Install tuck-in vinyl. Adjust filler to be even with the tops of the jambs.



8

Measure for the panel header from the 90° corner post to the wall. Add 1/4" and cut the square end of the header to that dimension.

Measure for the header over the door and panel from the 90° post to the wall. Add 1/4" and cut the square end of the header to that dimension.

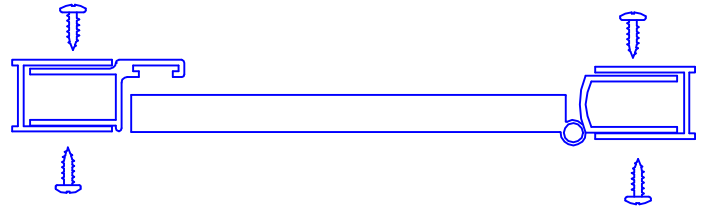
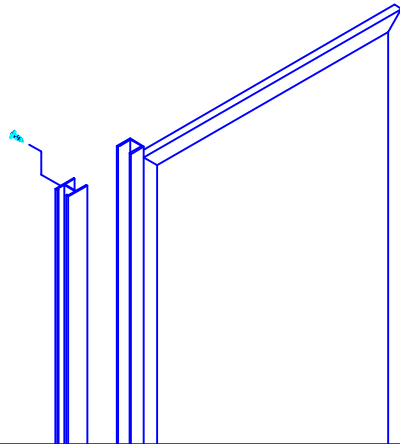


Assemble headers with 90° splice plate and drill for 6x3/8 screws. Use 6x3/4 screws at jambs and 90° post.

9

Place hinge portion of door into jamb, placed in the extended position. Clamp or drill and temporarily fasten with one sheet metal screw at the top.

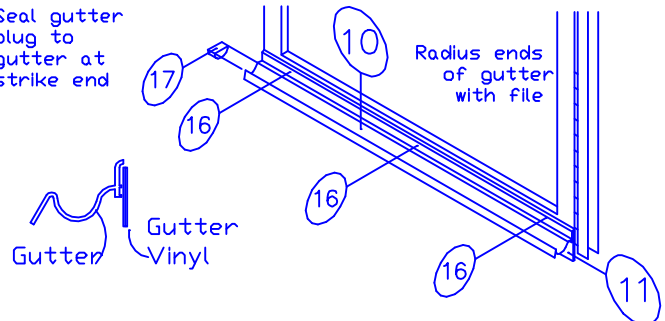
Insert strike jamb into wall jamb. Adjust door and strike to operate properly. Make final adjustments and secure jambs together with #6x3/8" pan screws. Three screws should be used on the inside and the outside of each wall jamb.



10

Install gutter over gutter vinyl at door bottom with #6x3/8" screws. Be sure gutter slopes down to hinge end and the vinyl extends to within 1/8" of the threshold.

Seal gutter plug to gutter at strike end



NOTE: We recommend filing any sharp corners that may cause injury, then clean and seal unit with a continuous bead of silicone along the outside edges of the wall jambs and threshold. Allow sealant to cure 24 hours before using shower. Do not seal the inside edges of unit.