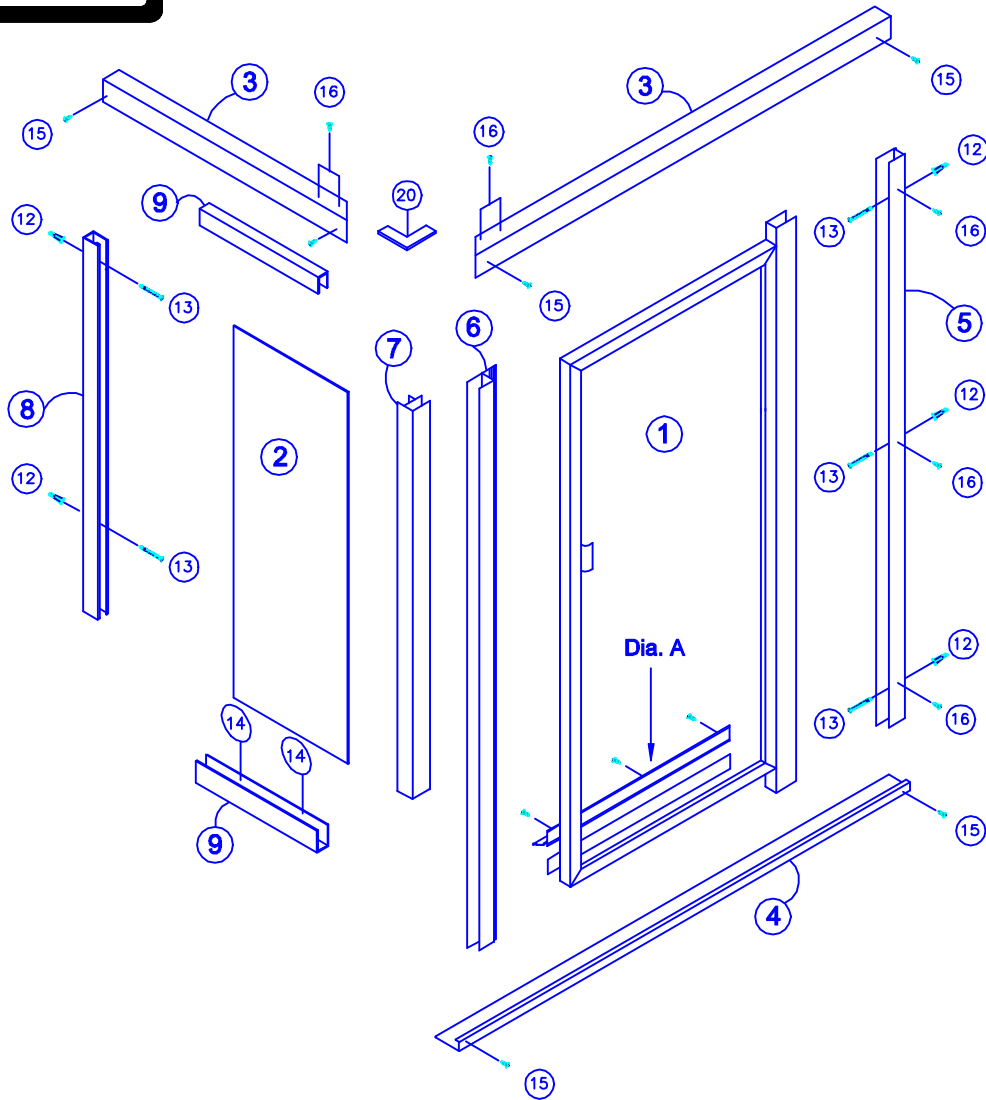




PRO-PACK-2

WITH 90° STEP

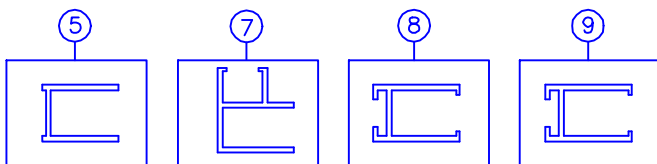


Parts

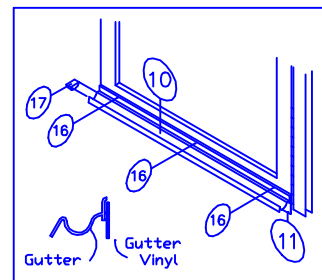
Parts	Part #	Qty.
1. Door		1
2. Panel Glass		1
3. Header	H-55	2
4. Threshold	H-25	1
5. Wall Jamb	H-36	1
6. Strike Jamb	H-3	1
7. Corner Post	Q-24	1
8. Wall Jamb	Q-120	1
9. Panel Filler	Q120	2
10. Gutter	H-11	1
11. Gutter Vinyl		1

Hardware Pack

Hardware Pack	Qty.
12. Anchors	6
13. 10x2" Pan Head Screw	6
14. 8x1" Pan Head Screw	2
15. 6x3/4" Pan Head Screw	6
16. 6x3/8" Pan Head Screw	15
17. Gutter Plug	1
19. Setting Blocks	6
20. Splice Plate	1



Dia. A

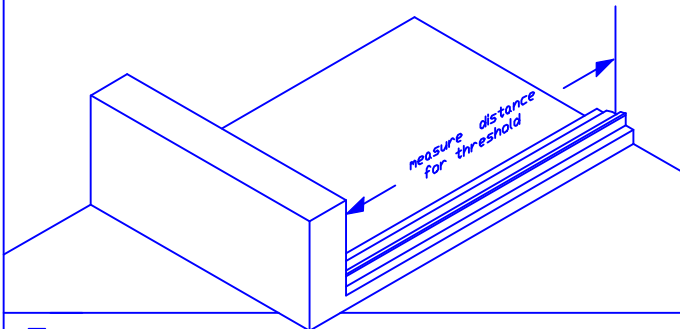


INSTALLATION INSTRUCTIONS:

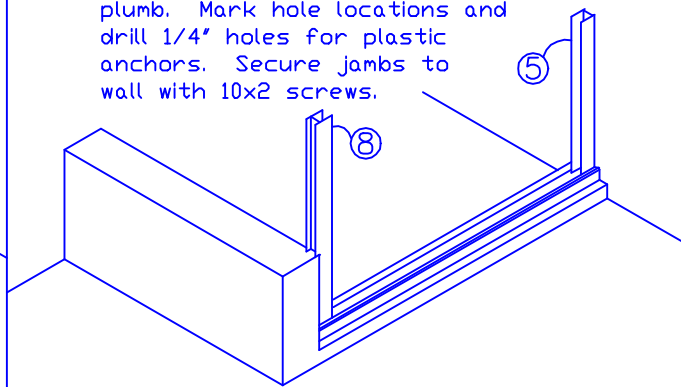
MODEL PRO-PACK-2

WITH 90° STEP PANEL

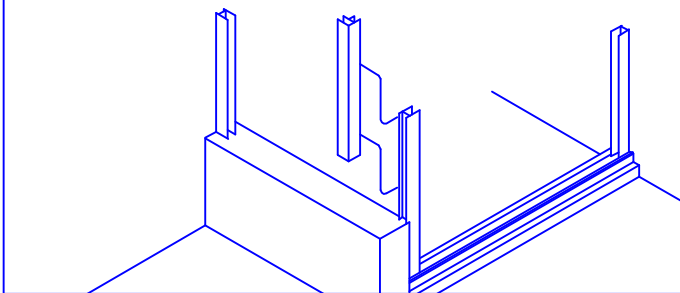
- 1 Measure finished opening width at sill. Cut threshold to length. Position on sill.



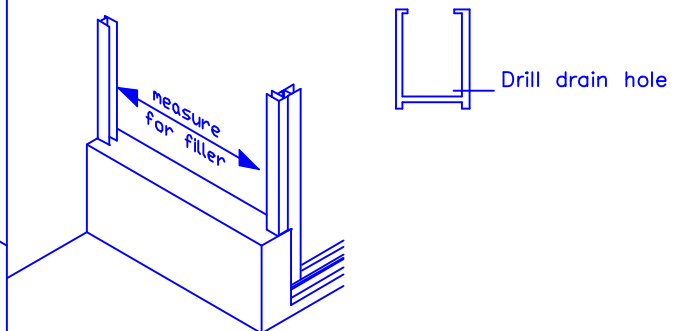
- 2 Place wall jambs on threshold and plumb. Mark hole locations and drill 1/4" holes for plastic anchors. Secure jambs to wall with 10x2 screws.



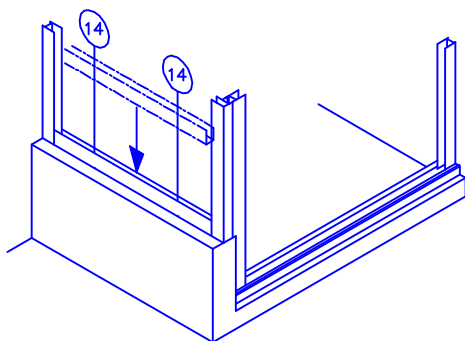
- 3 Snap corner post on to the corner transition jamb. Locate step wall jamb by lining up with the corner post. Plumb step wall jamb and then mark the mounting hole locations. Drill 1/4" holes, insert plastic anchors and secure wall jamb to wall with #10x2" pan head screws.



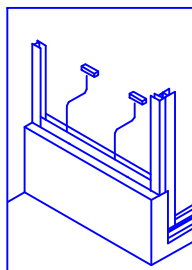
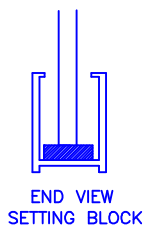
- 4 Measure in-between the corner post and the step wall jamb. Cut the panel filler to size. Drill at least two drain holes in the panel filler at the inside bottom edge.



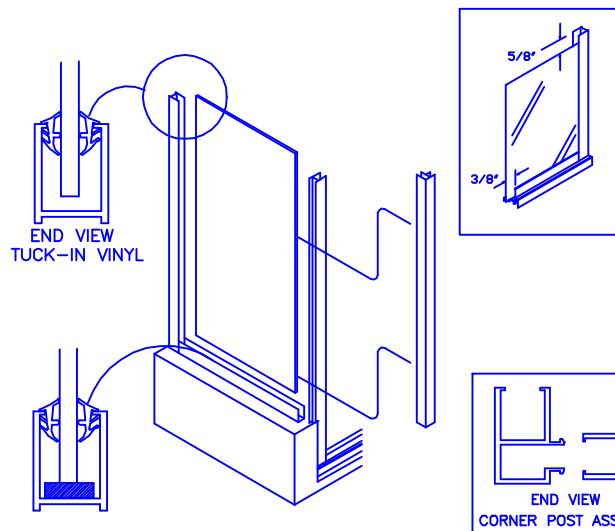
- 5 Position panel filler on stub wall in-between jambs. Drill 1/8" holes through panel filler into the stub wall. Place a small amount of silicone sealant into the holes and secure filler with #8x1" screws.



Remove corner post from corner transition jamb. Place setting blocks into filler.

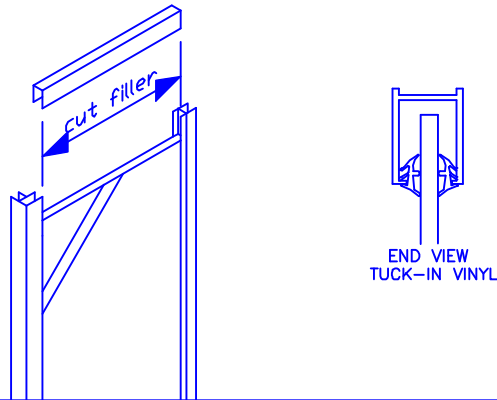


- 6 Adjust the glass to extend out of the filler 3/8". The glass should be adjusted to be 5/8" lower than the top of the wall jamb. Install the corner post over the edge of the glass and then snap onto the corner transition jamb. Plumb the glass in the channels. Install tuck-in vinyl in wall jamb and bottom channel and corner post.



7

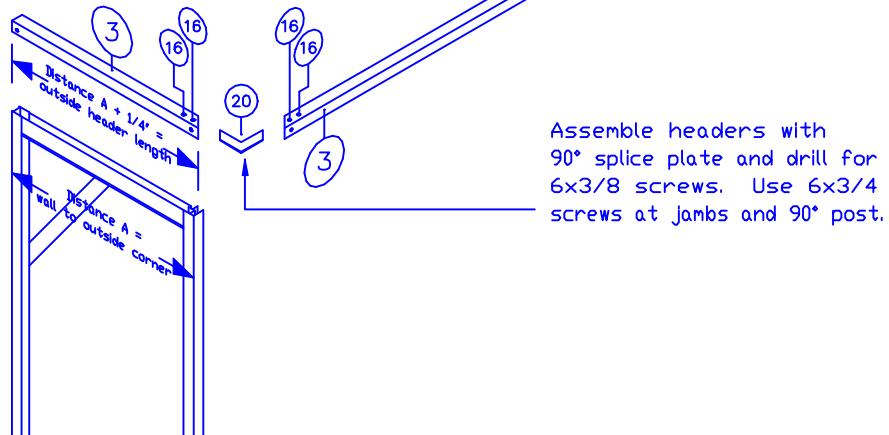
Measure in between the jambs at the top of the glass. Cut fillers to size and place in position over the top edge of the glass. Install tuck-in vinyl. Adjust fillers to be even with the top of the jambs.



8

Measure for the panel header from the 90° corner post to the wall. Add 1/4" and cut the square end of the header to that dimension.

Measure for the header over the door and panel from the 90° post to the wall. Add 1/4" and cut the square end of the header to that dimension.

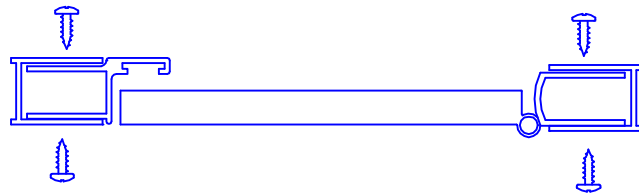
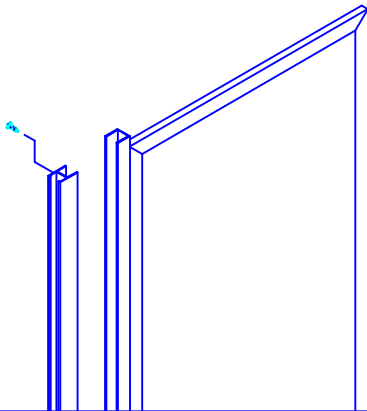


Assemble headers with 90° splice plate and drill for 6x3/8 screws. Use 6x3/4 screws at jambs and 90° post.

9

Place hinge portion of door into jamb, placed in the extended position. Clamp or drill and temporarily fasten with one sheet metal screw at the top.

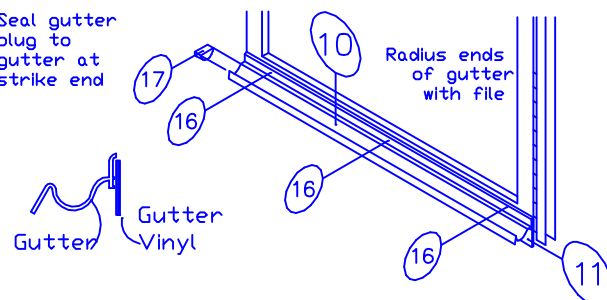
Insert strike jamb into wall jamb. Adjust door and strike to operate properly. Make final adjustments and secure jambs together with #6x3/8" pan head screws. Three screws should be used on the inside and the outside of each wall jamb.



10

Install gutter over gutter vinyl at door bottom with #6x3/8" screws. Be sure gutter slopes down to hinge side and the vinyl extends to within 1/8" of the threshold.

Seal gutter plug to gutter at strike end



NOTE: We recommend filing any sharp corners that may cause injury, then clean and seal unit with a continuous bead of silicone along the outside edges of the wall jambs and threshold. Allow sealant to cure 24 hours before using shower. Do not seal the inside edges of unit.