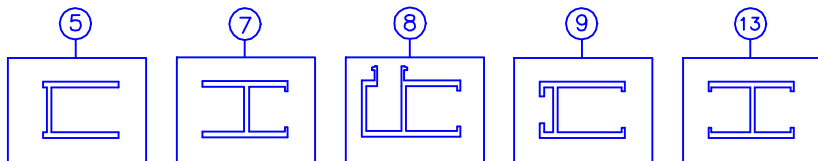


### Parts

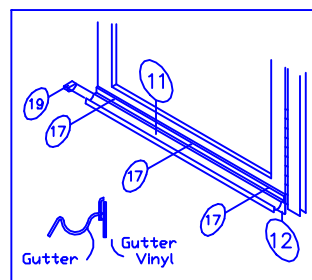
Parts	Qty.	Part #
1. Door	1	
2. Panel Glass	2	
3. Header	2	
4. Threshold	2	
5. Wall Jamb	1	H-36
6. Strike Jamb	1	H-3
7. Transition Jamb	1	HQ-35
8. Corner Post	1	Q-24
9. Wall Jamb	1	Q-120
10. Panel Filler	4	Q120
11. Gutter	1	H-11
12. Gutter Vinyl	1	
13. Transition Jamb	1	Q-120

### Hardware Pack

Hardware Pack	Qty.
14. Anchors	6
15. 10x2" Pan Head Screw	6
16. 8x5/8" Pan Head Screw	4
17. 6x3/4" Pan Head Screw	13
18. 6x3/8" Pan Head Screw	15
19. Gutter Plug	1
20. Setting Blocks	12
21. Splice Plate	2



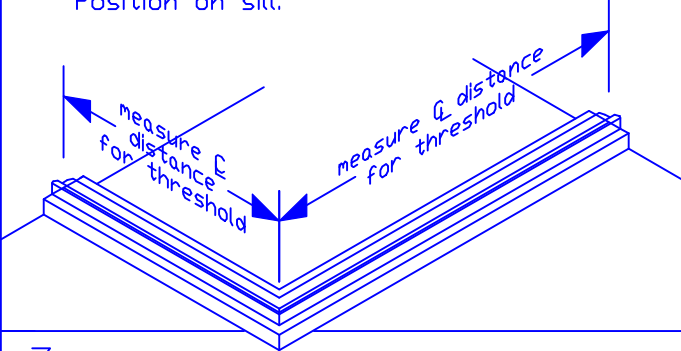
Dia. A



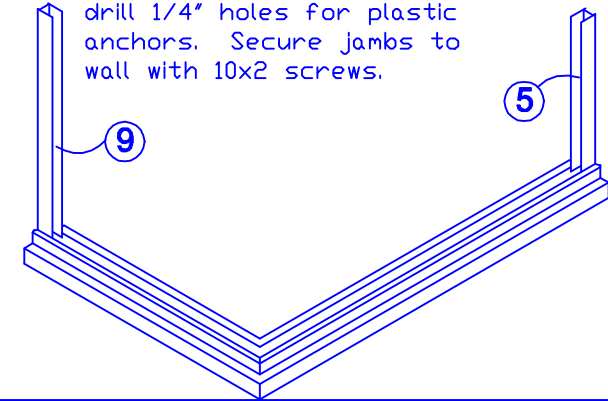
# INSTALLATION INSTRUCTIONS:

MODEL PRO PACK-3  
WITH MAGNETIC STRIKE

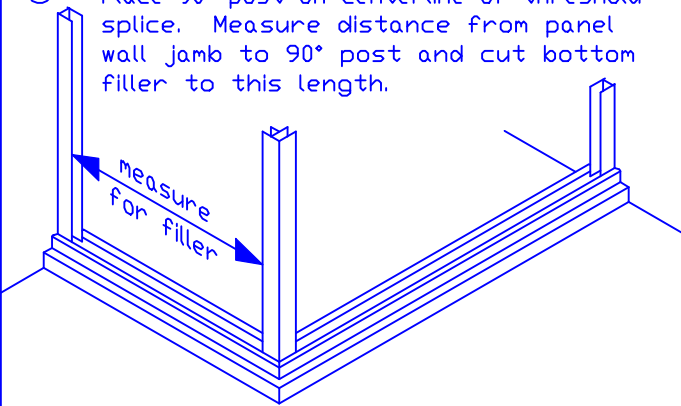
1 Measure finished opening width at sill. Cut thresholds to length at square ends. Assemble thresholds with 90° splice plate and 6x3/8 screws. Position on sill.



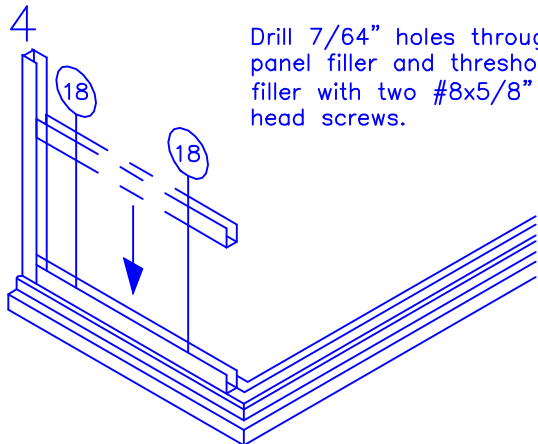
2 Place wall jambs on thresholds and plumb. Mark hole locations and drill 1/4" holes for plastic anchors. Secure jambs to wall with 10x2 screws.



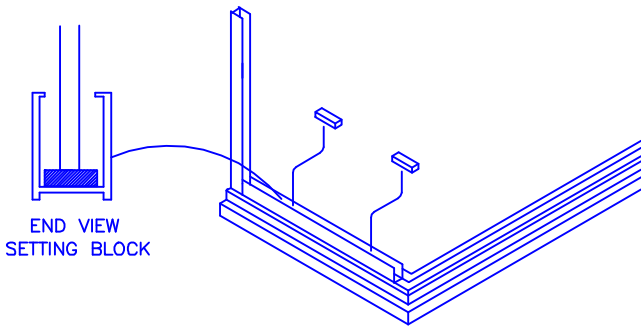
3 Place 90° post on centerline of threshold splice. Measure distance from panel wall jamb to 90° post and cut bottom filler to this length.



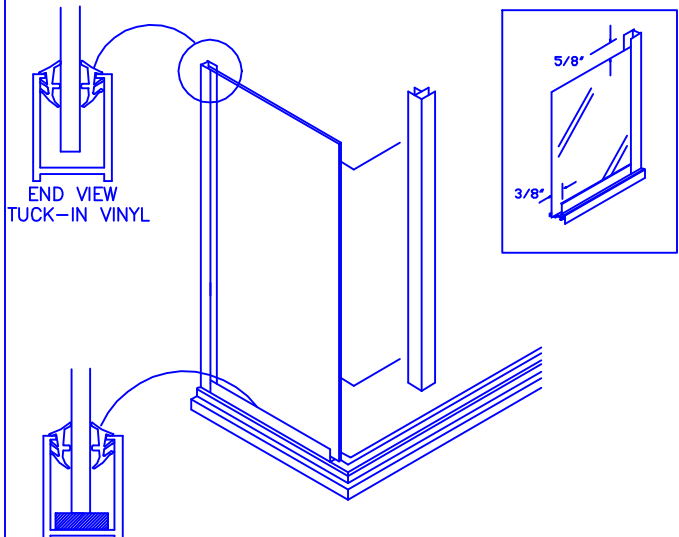
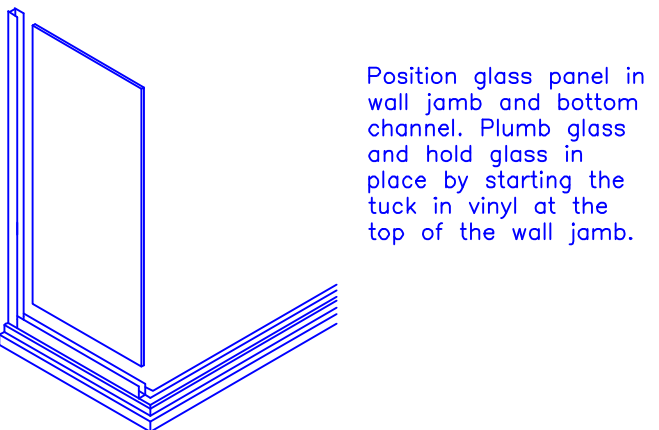
4 Drill 7/64" holes through the panel filler and threshold. Attach filler with two #8x5/8" pan head screws.



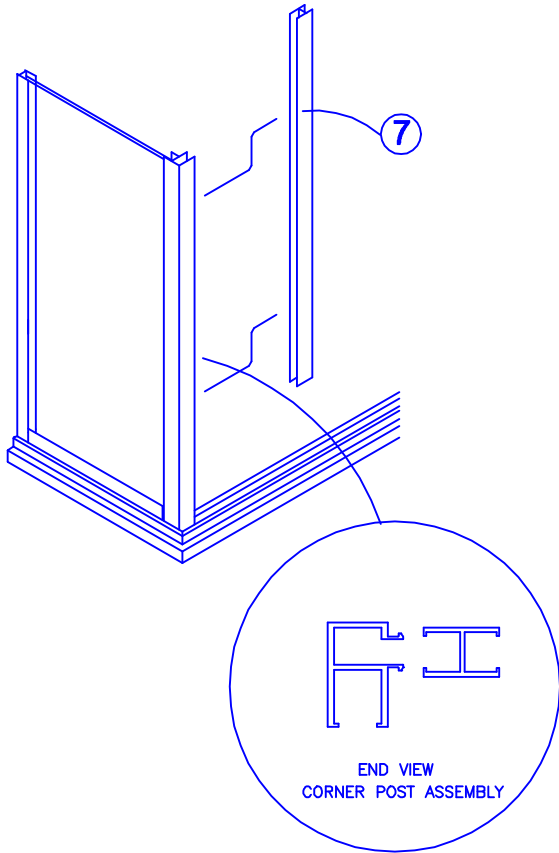
5 Place setting blocks inside the bottom channel.



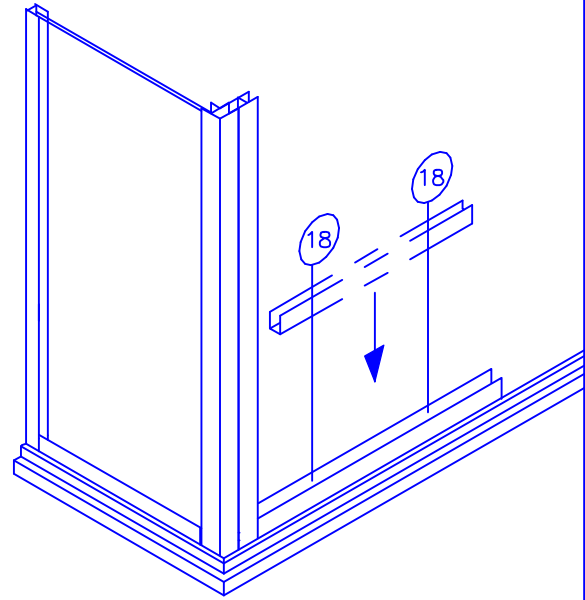
6 Adjust glass to extend out of filler 3/8". The glass should be adjusted to be 5/8" lower than the top of the wall jamb. Position the corner post in the corner of thresholds and over the edge of the glass. Hold in glass place by starting the tuck-in vinyl at the top of the corner post. Plumb the post and glass. Install tuck-in vinyl in wall jamb and bottom channel and corner post.



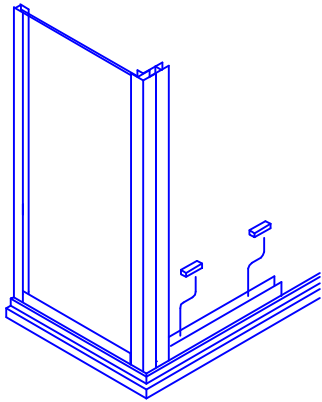
- 7 Snap the transition jamb onto the corner post. Make sure that the transition jamb sits down on the threshold.



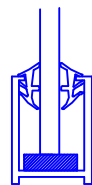
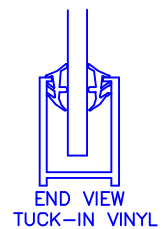
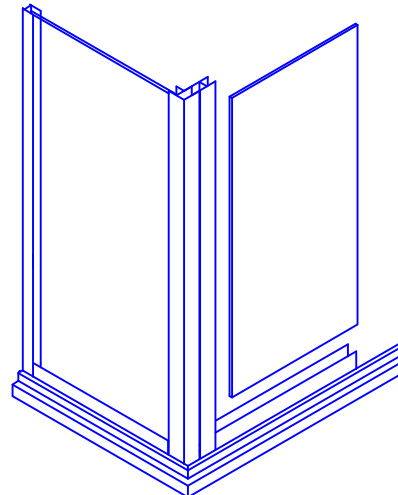
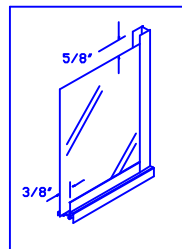
- 8 Cut the bottom filler 1" less than the width of the glass panel. Drill two or three drain holes through the back of the channel at the bottom edge. Position channel on threshold and drill  $9/64$ " holes through the channel and threshold. Secure the channel to the threshold with  $\#8 \times 5/8$ " pan head screws.



- 9 Place setting blocks into bottom channel.



- 10 Set glass panel into bottom channel and the transition jamb. Adjust glass to extend out of bottom channel  $3/8$ ". The glass should be adjusted to be  $5/8$ " lower than the top of the transition jamb. Install the tuck-in vinyl in the transition jamb and the bottom channel.



11 Install transition jamb over the edge of the glass and down on the threshold. Install the tuck-in vinyl. Adjust jamb to be plumb.

7  
END VIEW  
STRIKE SIDE  
TRANSITION JAMB

HINGE OR STRIKE GOES INTO THE SIDE WITHOUT THE LIPS FOR THE TUCK-IN VINYL

12 Measure inbetween jambs at top of glass. Cut fillers to size and place in position over top edge of glass. Install tuck-in vinyl. Adjust filler to be even with the top of the jambs.

13 Measure for the panel header from the 90° corner post to the wall. Add 1/4" and cut the square end of the header to that dimension.

Measure for the header over the door and panel from the 90° post to the wall. Add 1/4" and cut the square end of the header to dimension.

Distance A + 1/4" = outside header length

Distance A = wall to outside corner

Assemble headers with 90° splice plate and drill for 6x3/8 screws. Use 6x3/4 screws at jambs and 90° post.

14 Place hinge portion of door into jamb, placed in the extended position. Clamp or drill and temporarily fasten with one sheet metal screw at the top.

Insert strike jamb into wall jamb. Adjust door and strike to operate properly. Make final adjustments and secure jambs together with #6x3/8" pan screws. Three screws should be used on the inside and the outside of each wall jamb.

15 Install gutter over gutter vinyl at door bottom with #6x3/8" screws. Be sure gutter slopes down to hinge end and the vinyl extends to within 1/8" of the threshold.

Seal gutter plug to gutter at strike end

Radius ends of gutter with file

Gutter Vinyl

Gutter

NOTE: We recommend filing any sharp corners that may cause injury, then clean and seal unit with a continuous bead of silicone along the outside edges of the wall jambs and threshold. Allow sealant to cure 24 hours before using shower. Do not seal the inside edges of unit.