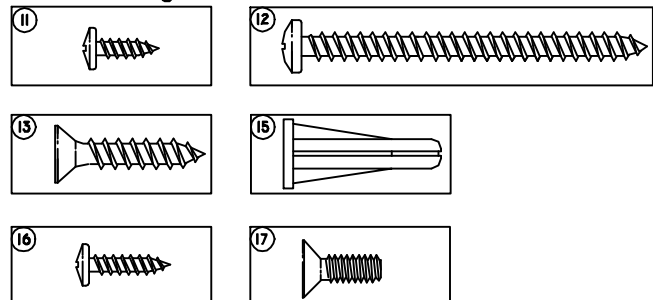
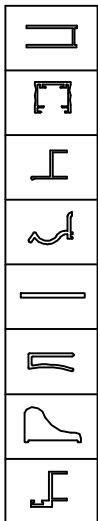


Parts List

Hardware Pack

Item	Name	Qty.	Part#
1.	Door Assembly	2	
2.	Wall Jamb	2	H-31
3.	Header	1	H-55
4.	Top Strike	1	H-37
5.	Gutter	2	H-11
6.	Gutter Vinyl	2	V-8
7.	Towel Bar	4	H-75
8.	Threshold	1	H-51
9.	Door Strike	1	H-18

Item	Name	Qty.
10.	Box Catch	1
11.	6x3/8" Pan Head Screw	18
12.	10x2" Pan Head Screw	6
13.	10x3/4" Flat Head Screw	3
14.	Towel Bar Bracket	4
15.	Plastic Anchors	6
16.	6x5/8" Pan Head Screw	2
17.	8x7/16" Flat Head Screw	8
18.	Gutter Plugs	2

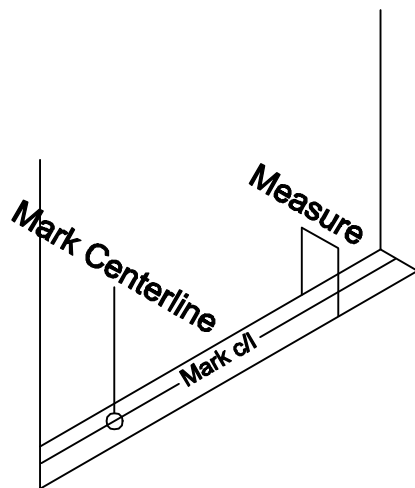


**Model
DX6&DX9**

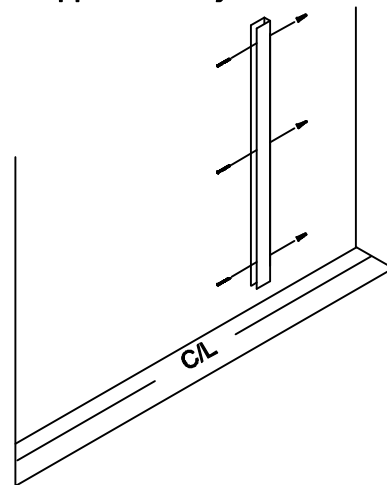
TOOLS REQUIRED FOR DX-6 & DX-9 INSTALLATION

1. Screwdriver Phillips Tip
2. Caulking Gun
3. Hacksaw
4. Drill Motor
5. 1/8" Drill Bit
6. 5/32" Drill Bit for 10x2" screws
7. 1/4" Drill Bit for plastic anchors
8. 1/4" Carbide Masonry Bit for ceramic tile
9. Mill File to smooth cut edges or form radius
10. One Tube Bath Sealant

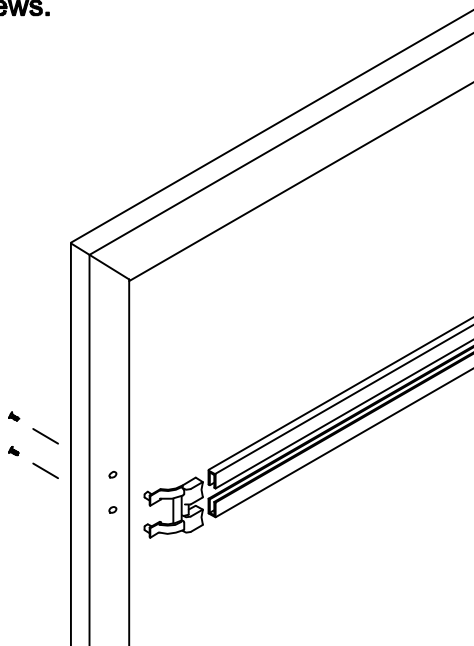
1. Measure width of sill and mark centerline in pencil.



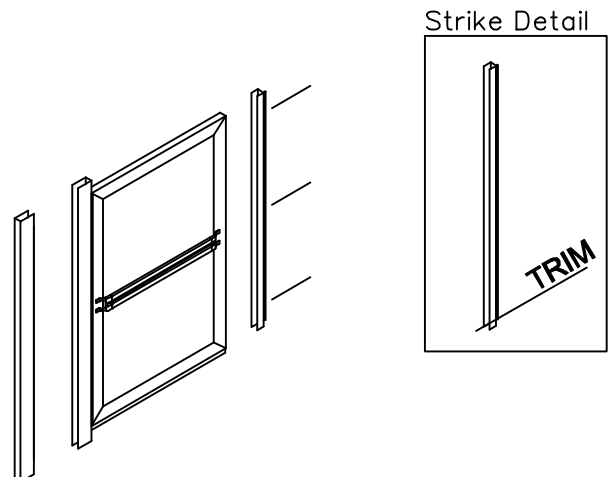
2. Locate wall jamb on C/L mark. Plumb jamb and mark hole locations. Drill 1/4" holes and insert plastic anchors. Secure jamb to wall with #10x2" pan head screws. Repeat for opposite wall jamb.



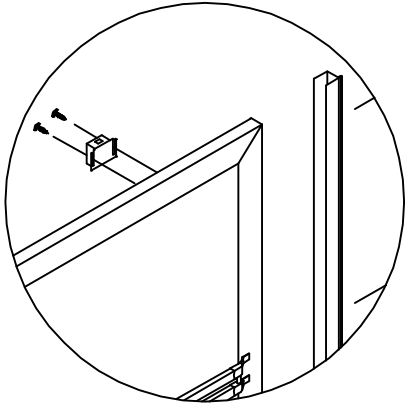
3. Insert towel bars into both brackets. Insert legs of brackets into holes in panel side rails. Secure brackets to panel with #8x7/16" flat head machine screws.



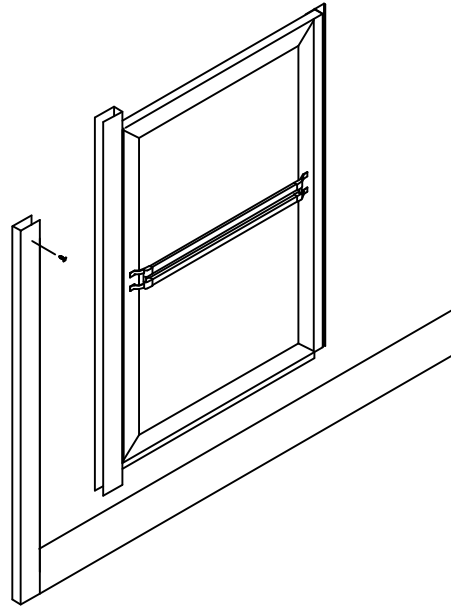
4. Install strike jamb on panel that has been predrilled for the box catch. Determine which end of strike will be up. Trim off notched portion on bottom end of strike jamb. Position strike over door panel side rail and mark hole location. Drill holes and secure strike to door panel with #10x3/4" flat head screws.



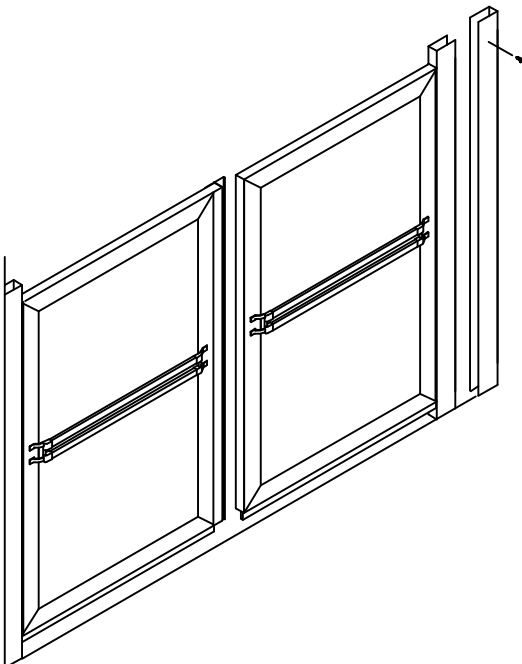
5. Install box catch with two #6x 3/8" pan head screws.



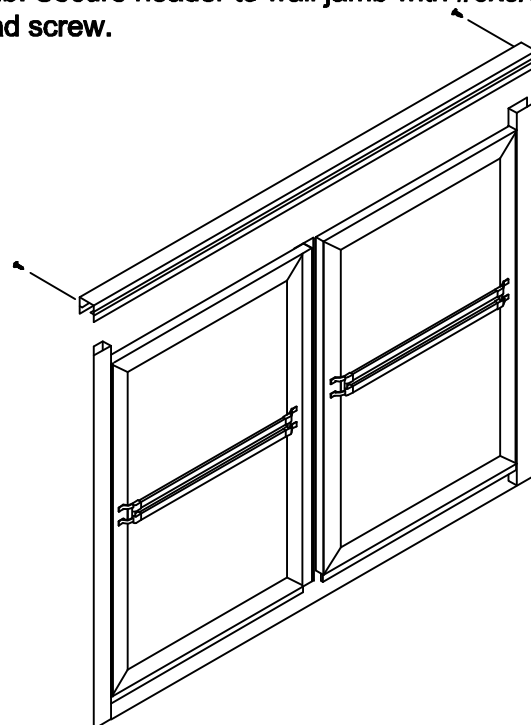
6. Install door with strike, plumb and temporarily fasten with one #6x3/8" pan head screw.



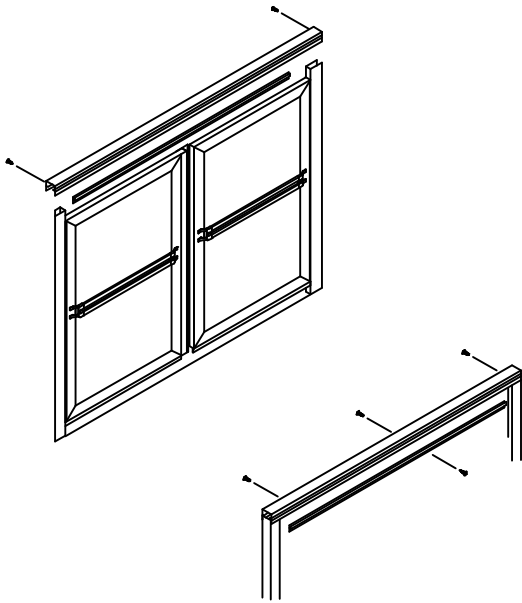
7. Install right side door. Adjust door panels so the top rails on door panels are even and magnetic catch works properly. Secure door panel temporarily with one #6x 3/8" pan head screw.



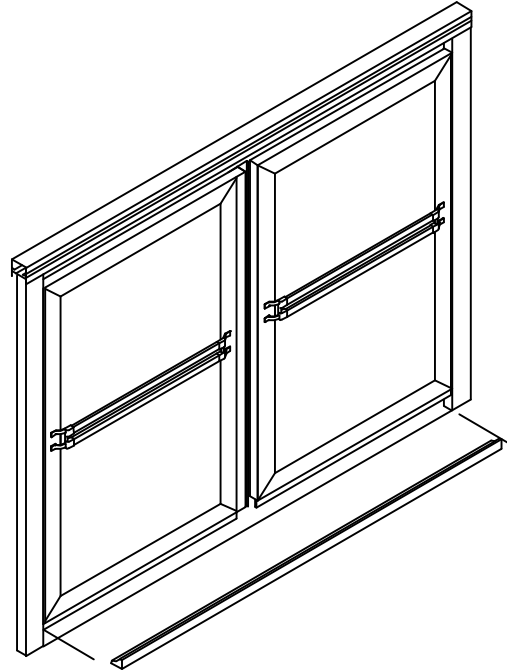
8. Measure distance at top of wall jambs. Cut header to size and install down over the top of the wall jambs. Drill 1/8" holes through the back of the header and wall jamb. Secure header to wall jamb with #6x5/8" pan head screw.



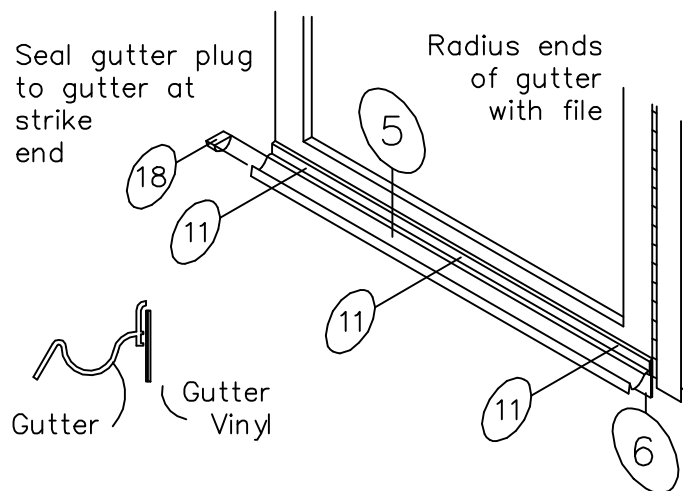
9. Measure in between wall jambs and cut top strike to size. Install top strike up inside header. Drill three evenly spaced holes through the back side of header and strike. Secure strike to header with #6x3/8" pan head screws. Drill 1/8" hole on front side centered where doors meet. Secure with one #6x3/8" pan head screw.



10. Measure in between wall jambs at sill. Cut threshold to size. Run a continuous bead of silicone along bottom side of threshold. Position in between wall jambs and press into place. Tape threshold in place until silicone has cured.



11. Install gutter over vinyl at door bottom with #6x3/8" pan head screws. Be sure gutter slopes towards hinge side of door. The vinyl sweep should be within 1/8" of threshold. Note: Gutter needs to be notched to fit over strike on edge of door.



13. File rough edges to prevent injury. Clean and run a continuous bead of sealant on the front side of the wall jambs and threshold only.