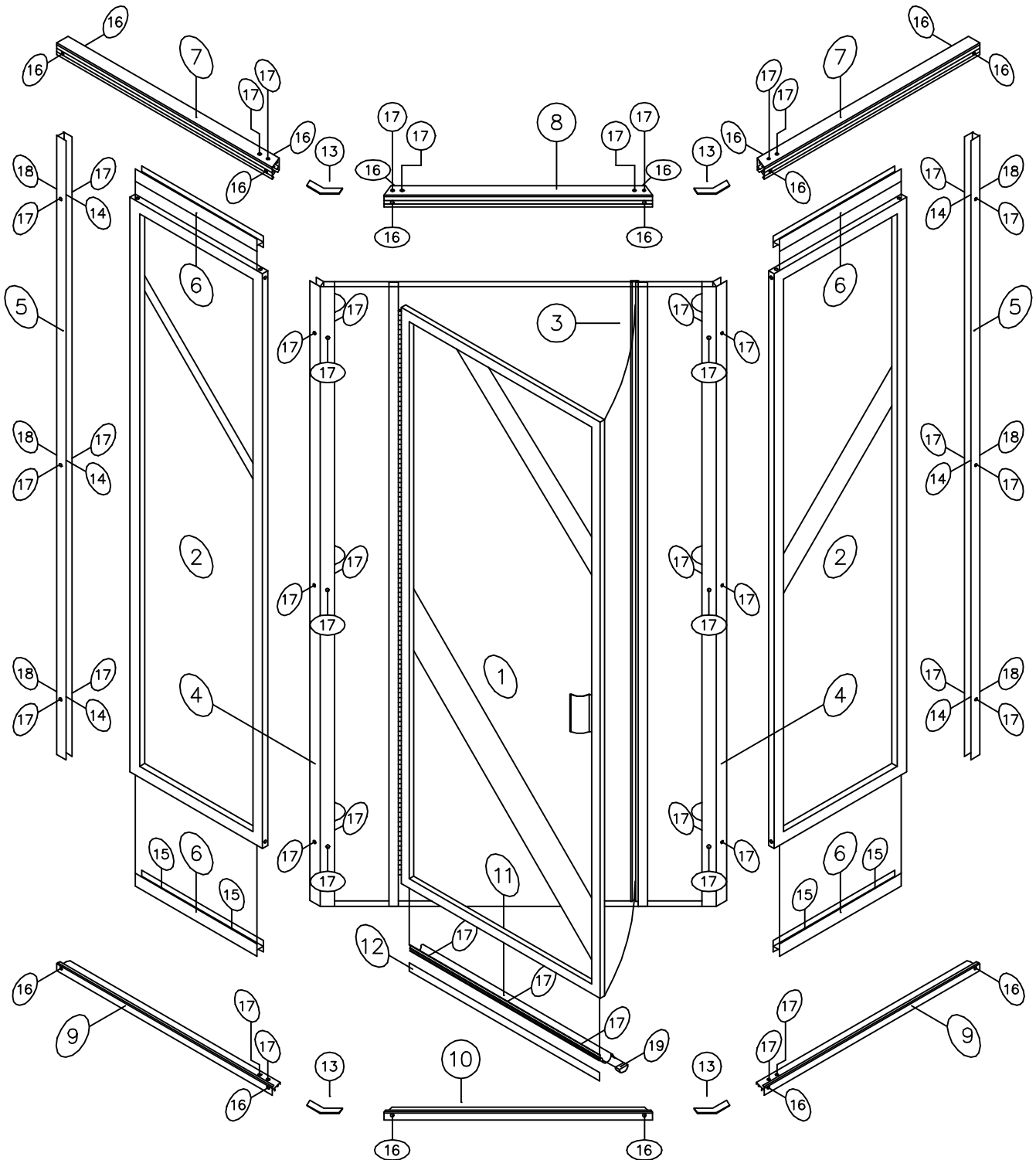


# MODEL S-4

WITH MAGNETIC STRIKE

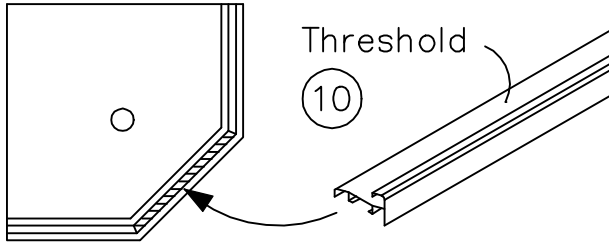
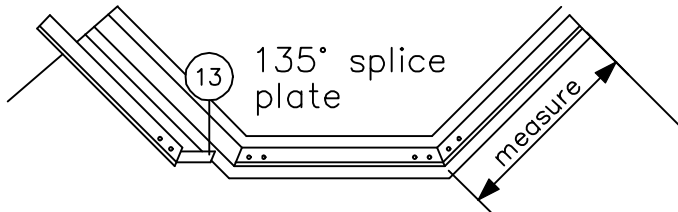
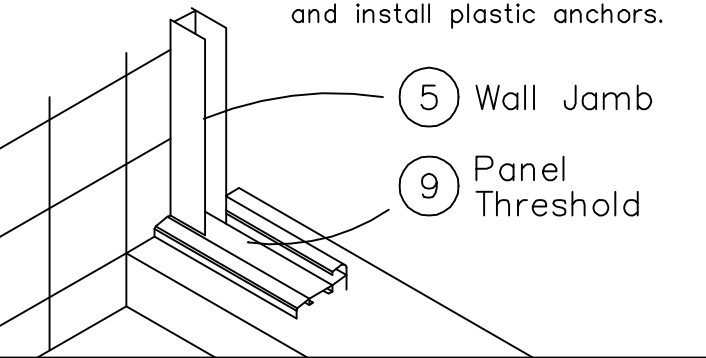
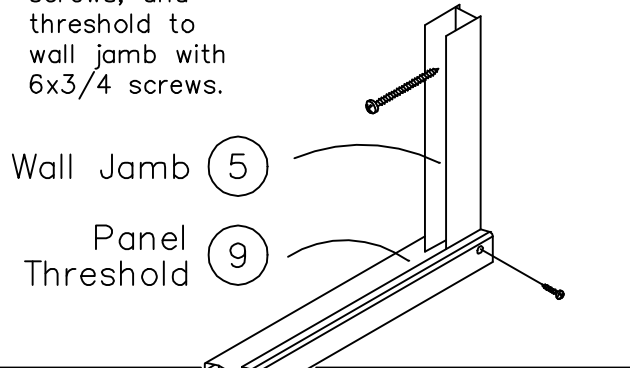
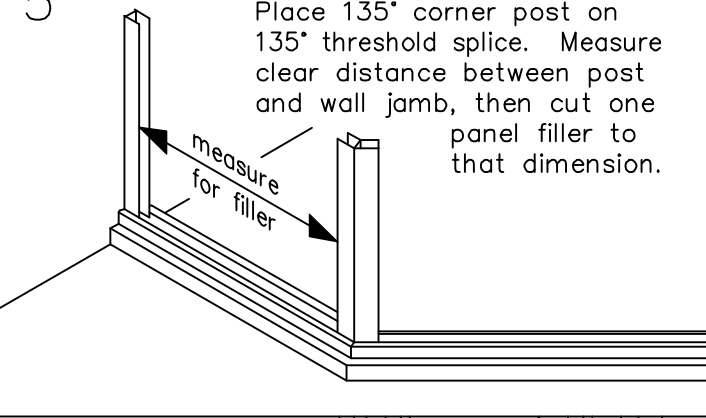
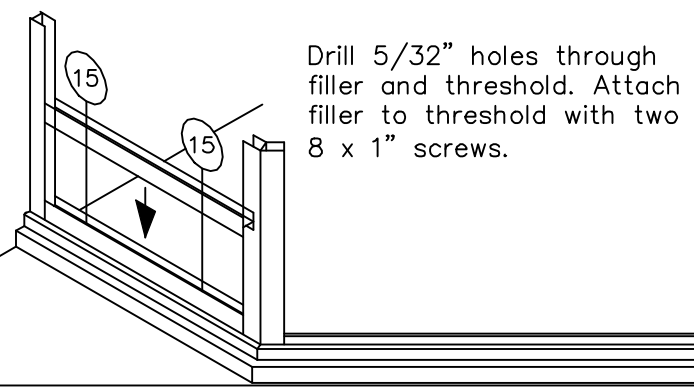
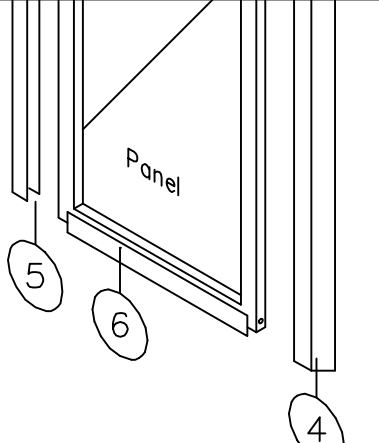
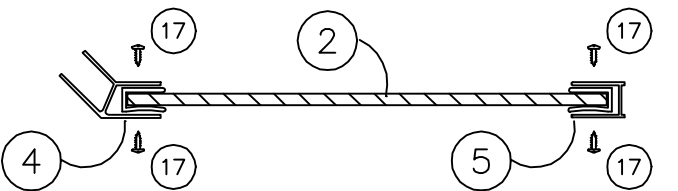
\* Please Note: Before beginning the installation, check that parts contained in the carton and hardware package match those parts listed below. If you should find any discrepancies please contact Holcam Sales at 1-800-843-3332

\* WARNING \*  
TO AVOID DAMAGING THE FINISH OF THIS DELUXE SHOWER ENCLOSURE, USE ONLY MILD CLEANERS. ALWAYS READ THE LABEL OF THE CLEANER TO BE USED. DO NOT USE HARSH CHEMICALS OR ABRASIVE DETERGENTS.



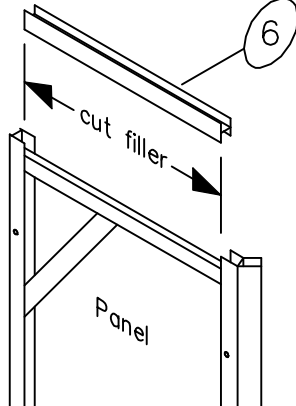
# INSTALLATION INSTRUCTIONS:

MODEL S-4  
WITH MAGNETIC STRIKE

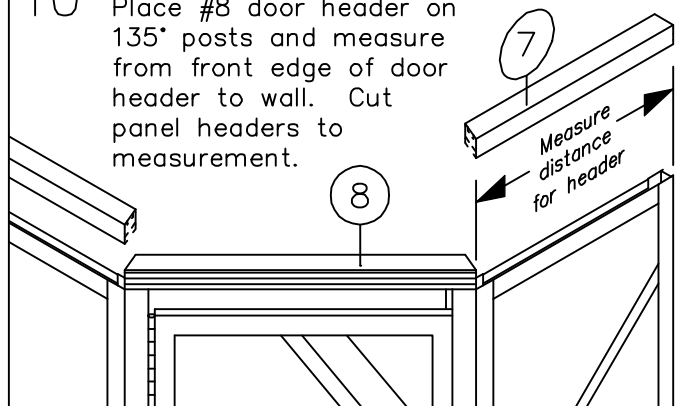
<p>1 Position door threshold #10 on centerline of sill. This part has been pre-cut to match your stall.</p> 	<p>2 Measure distance from outside edge of door threshold to back walls and cut panel thresholds to fit. Assemble thresholds with 135° splice plates, drill and attach with 6x3/8 pan head screws.</p>  <p>Radius ends if necessary to fit radius stalls.</p>
<p>3 Place wall jambs on threshold. Plumb and mark screw holes. Drill 1/4" holes and install plastic anchors.</p> 	<p>4 Secure wall jambs to wall with 10x2 screws, and threshold to wall jamb with 6x3/4 screws.</p> 
<p>5 Place 135° corner post on 135° threshold splice. Measure clear distance between post and wall jamb, then cut one panel filler to that dimension.</p> 	<p>6 Drill 5/32" holes through filler and threshold. Attach filler to threshold with two 8 x 1" screws.</p> 
<p>7 Set panel in filler and start into wall jamb. Set 135° post on threshold and over panel. Push post into panel and panel into wall jamb until tight against filler and plumb.</p> 	<p>8 Repeat steps 5, 6, and 7 for other side.</p>  <p>Secure panels to wall jambs and 135° corner posts with 6x3/8 screws, using three screws at the outside and three screws at the inside of each wall jamb and corner post.</p>

MODEL S-4  
WITH MAGNETIC STRIKE

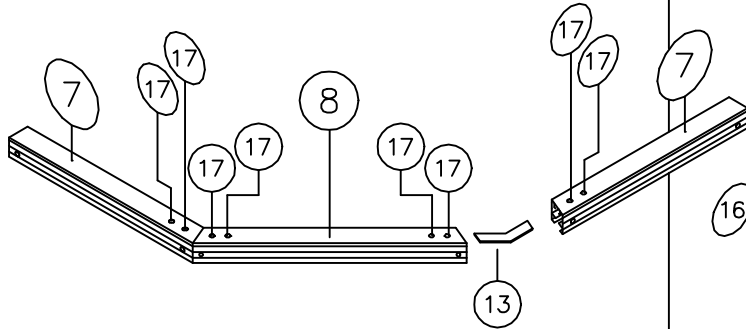
9 Check 135° post for plumb. Measure clear distance between post and jamb, then cut one filler to that dimension. Install filler on top of panel.



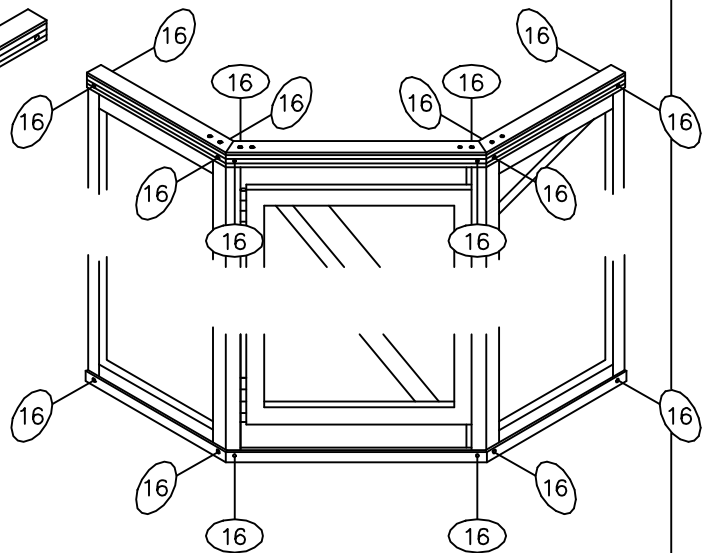
10 Place #8 door header on 135° posts and measure from front edge of door header to wall. Cut panel headers to measurement.



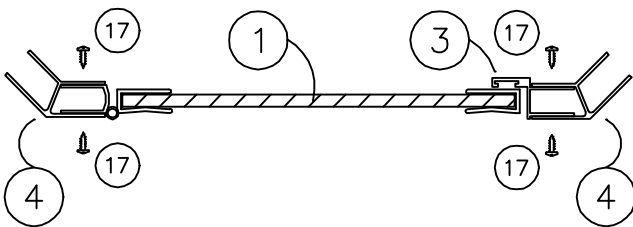
11 Assemble headers with 135° splice plates. Drill and attach with 6x3/8 screws.



12 Place header assembly on top of unit. Secure with 6x3/4 screws at inside and outside at each wall jamb and 135° corner post.

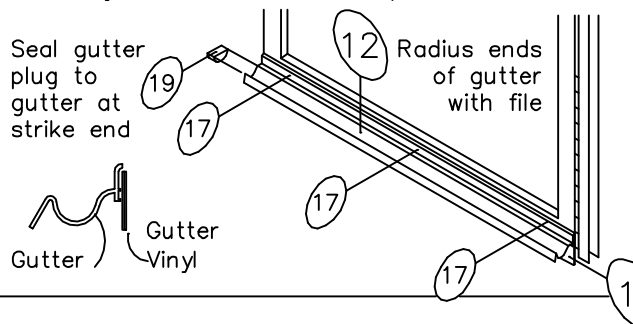


13 Slip strike jamb into 135° post, then install door with hinge jamb into opposite 135° post. Adjust door and magnetic strike (see Step 15).

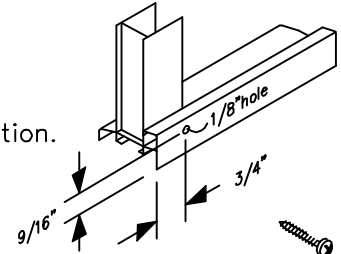


Also, secure threshold to wall jamba and 135° corner posts with 6x3/4 screws at outside.

14 Install gutter over gutter vinyl at door bottom with 6x3/8 screws. Be sure gutter slopes down to hinge end, and vinyl extends to within 1/8" of threshold.



Threshold screw location.


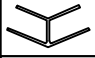


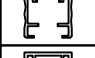




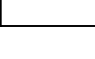
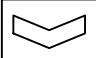




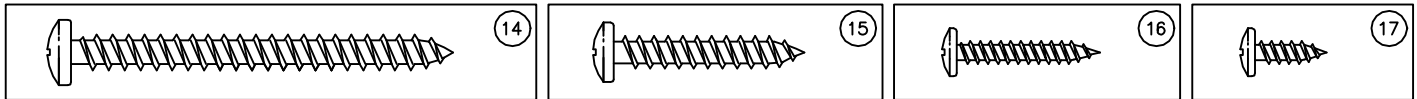
We recommend filing any sharp corners that may cause injuries, then clean and run a continuous bead of sealant around the outside of threshold and fillers, up the outside of wall jamba, and at all splice joints of fillers to wall jamba and 135° posts.

NOTE: Do not caulk inside of the unit.

# MODEL S-4 WITH MAGNETIC STRIKE

CORNER SHOWER ENCLOSURE

	CAT#:	PART LIST:	LENGTH:	QTY:		HARDWARE PACK:	QTY:	
	1	DOOR ASSEMBLY		1				
	2	PANEL ASSEMBLY		2				
	3	H-3 STRIKE JAMB	69 15/16"	1				
	4	H-23 135° CORNER POST	70 1/4"	2				
	5	H-36 WALL JAMB	70 1/4"	2				
	6	H-35 PANEL FILLER		4				
	7	H-55 HEADER, PANEL		2				
	8	H-55 HEADER, DOOR		1				
	9	H-25 THRESHOLD, PANEL		2				
	10	H-25 THRESHOLD, DOOR		1				
	11	H-11 GUTTER		1				
	12	V-8 GUTTER VINYL		1				
						13	135° SPLICE PLATE	4
						14	10x2 PAN HEAD SCREW	6
						15	8x1 PAN HEAD SCREW	4
						16	6x3/4 PAN HEAD SCREW	18
						17	6x3/8 PAN HEAD SCREW	51
						18	PLASTIC ANCHOR	6
						19	GUTTER PLUG	1



## TOOLS REQUIRED FOR INSTALLATION OF MODEL S-4 WITH MAGNETIC STRIKE:

- |   |   |
|---|---|
| <ol style="list-style-type: none"> <li>1. Caulking gun + approved silicone sealant</li> <li>2. Rubber mallet</li> <li>3. Hacksaw</li> <li>4. Philips screwdriver</li> <li>5. Mill file to smooth cut edges or radius</li> </ol> | <ol style="list-style-type: none"> <li>6. 1/8" drill bit for 6x screws</li> <li>7. 5/32" drill bit for 10x2 screws</li> <li>8. 1/4" drill bit for plastic anchors</li> <li>9. 1/4" carbide drill bit for tile anchors</li> <li>10. 5/32" drill bit for 8x1" screws</li> </ol> |
|---|---|