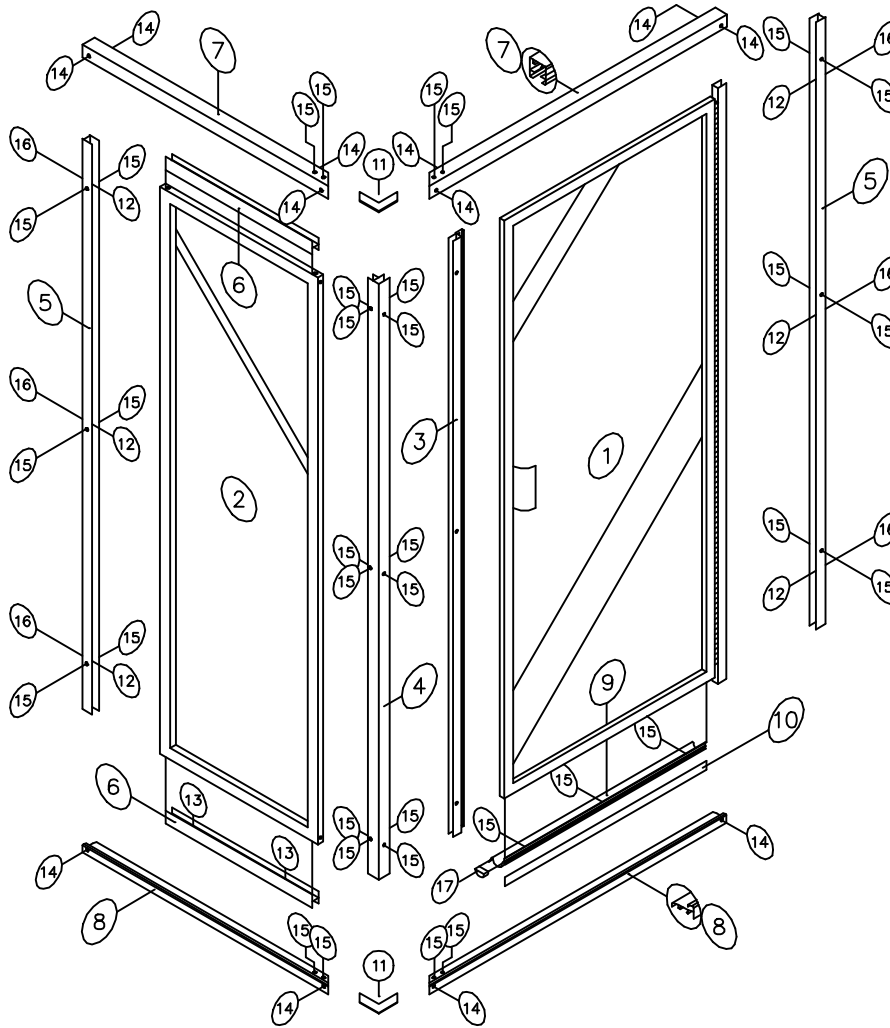


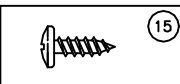
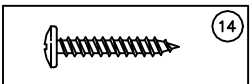
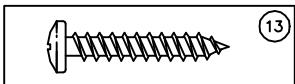
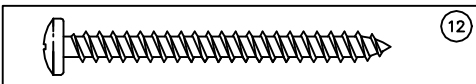
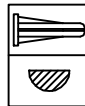
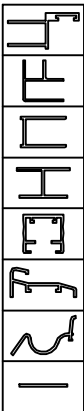
MODEL S-2 CORNER SHOWER ENCLOSURE WITH MAGNETIC STRIKE

* PLEASE NOTE: Before beginning the installation, check that the parts contained in the carton and hardware package match those parts listed below. If you should find any discrepancies please contact Holcam Sales at 1-800-843-3332 www.holcam.com

WARNING:
To avoid damaging the finish of this deluxe enclosure, use only mild cleaners. Always read the labels on the cleaner used. Do not use harsh chemicals or abrasive detergents.



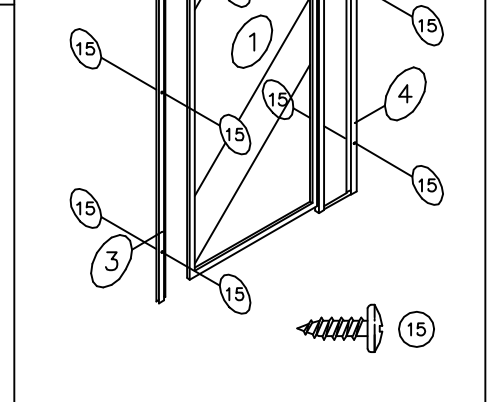
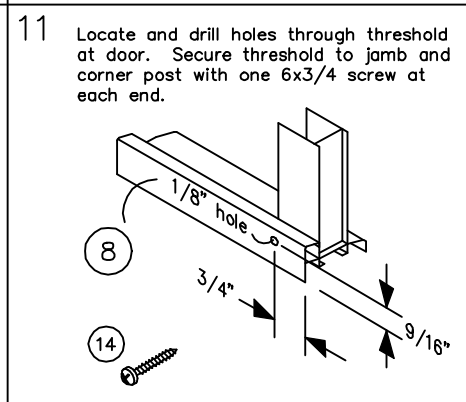
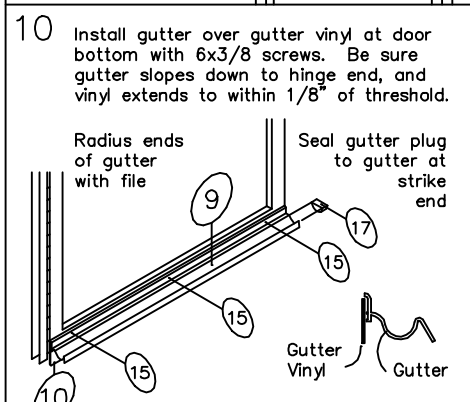
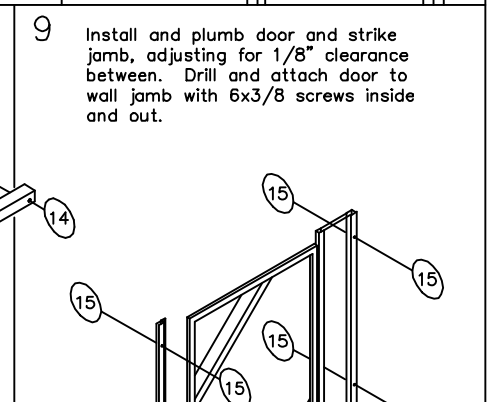
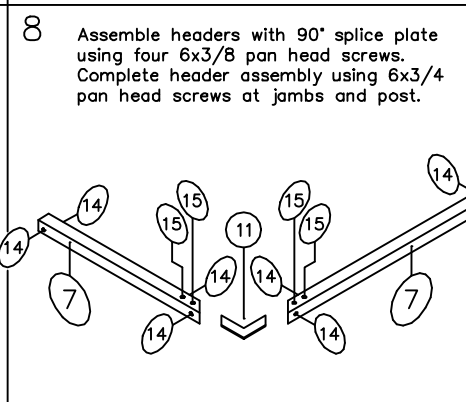
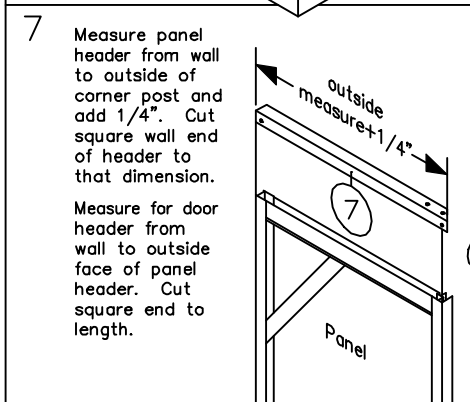
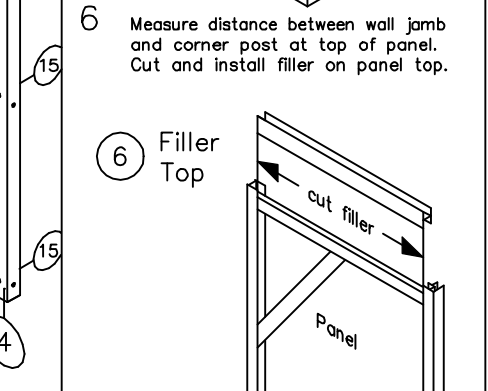
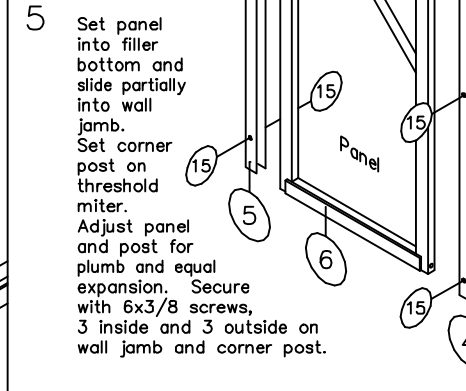
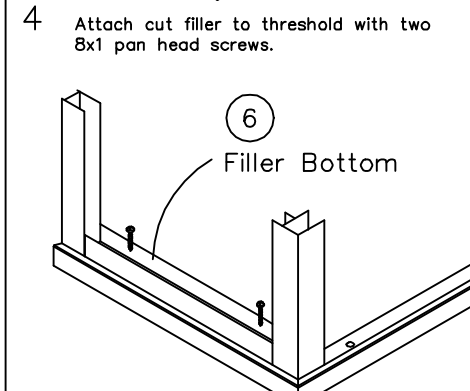
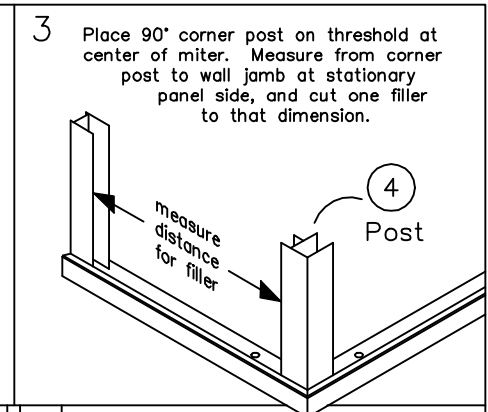
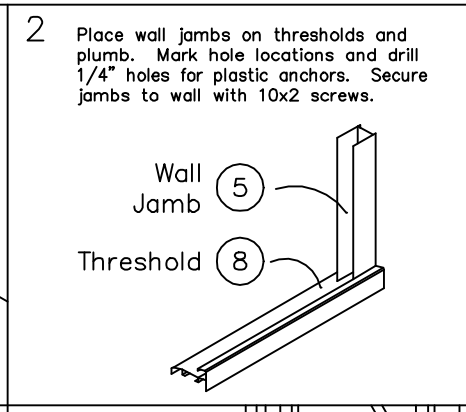
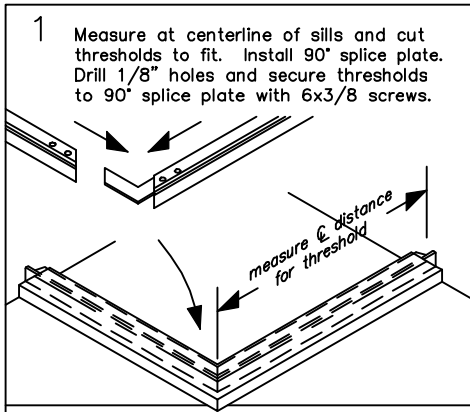
CAT#:	PART LIST:	LENGTH:	QTY.:	HARDWARE PACK:	QTY.:
①	DOOR ASSEMBLY		1	⑪ 90° SPLICE PLATE	2
②	PANEL ASSEMBLY		1	⑫ 10x2 PAN HEAD SCREW	6
③	H-3 STRIKE JAMB	69 15/16"	1	⑬ 8x1 PAN HEAD SCREW	2
④	H-24 90° CORNER POST	70 1/4"	1	⑭ 6x3/4 PAN HEAD SCREW	12
⑤	H-36 WALL JAMB	70 1/4"	2	⑮ 6x3/8 PAN HEAD SCREW	35
⑥	H-35 FILLER	PANEL WIDTH +2"	2	⑯ PLASTIC ANCHOR	6
⑦	H-55 HEADER	UNIT WIDTH +4"	2	⑰ GUTTER PLUG	1
⑧	H-25 THRESHOLD	UNIT WIDTH +4"	2		
⑨	H-11 GUTTER	DOOR WIDTH	1		
⑩	V-8 GUTTER VINYL	DOOR WIDTH	1		



S-2
MAGNETIC
STRIKE

TOOLS REQUIRED FOR INSTALLATION OF S-2 WITH MAGNETIC STRIKE

1. One tube of approved bathroom sealant
2. Caulking gun
3. Hacksaw
4. Philips screwdriver
5. Mill file to smooth cut edges or radius
6. 1/8" drill bit for 6 x 3/8" screws
7. 5/32" drill bit for 10 x 2" screws
8. 1/4" drill bit for plastic anchors
9. 1/4" carbide drill bit for tile anchors



NOTE: We recommend filing any sharp corners that may cause injury, then clean and run a continuous bead of sealant along the outside of threshold and up wall jambs. Do not caulk inside of the unit.

Polarity of the magnet may be reversed. To change polarity, remove magnetic strip from strike jamb, turn end for end, and re-install.