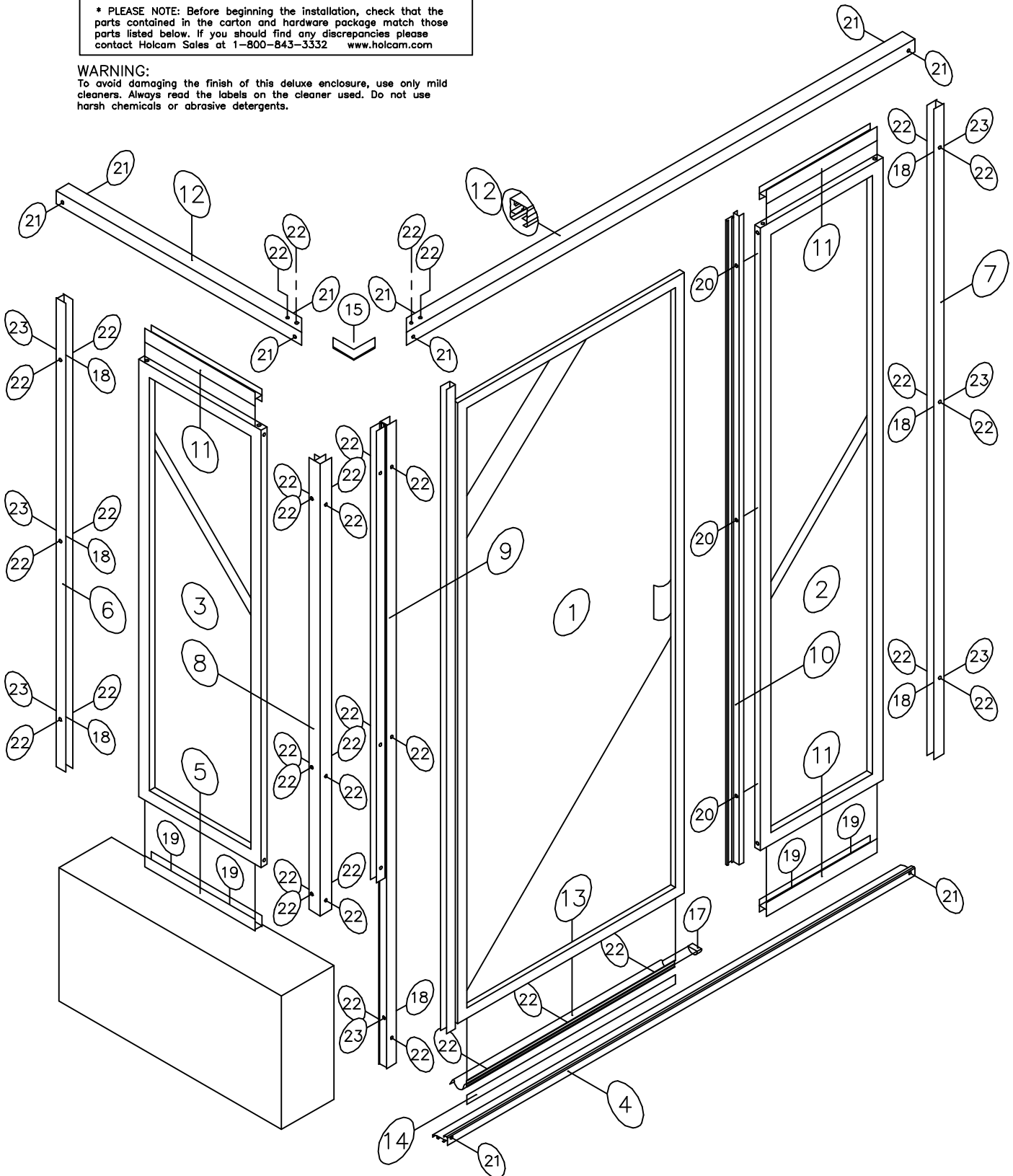


* PLEASE NOTE: Before beginning the installation, check that the parts contained in the carton and hardware package match those parts listed below. If you should find any discrepancies please contact Holcam Sales at 1-800-843-3332 www.holcam.com

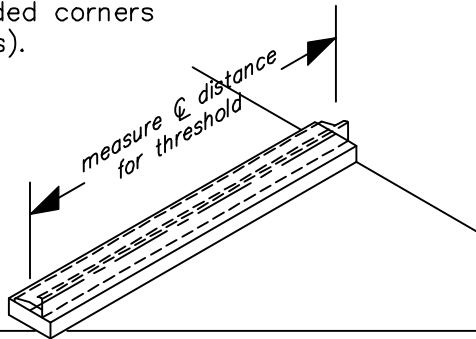
WARNING:
To avoid damaging the finish of this deluxe enclosure, use only mild cleaners. Always read the labels on the cleaner used. Do not use harsh chemicals or abrasive detergents.



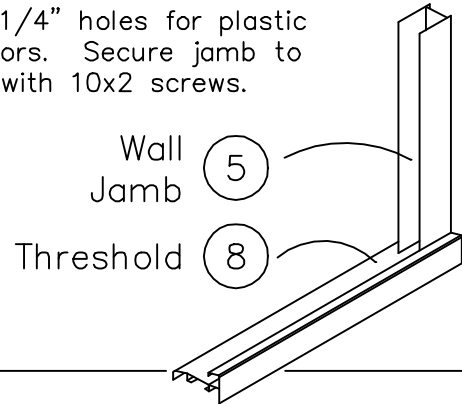
INSTALLATION INSTRUCTIONS:

MODEL S-3
WITH 90° STEP-PANEL

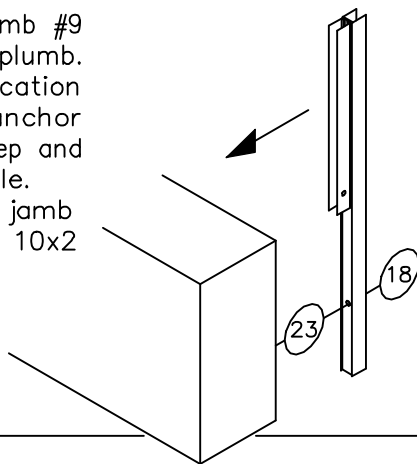
- 1 Measure finished opening width at bottom of stall. Cut threshold to this dimension. Radius ends if stall has rounded corners (fiberglass).



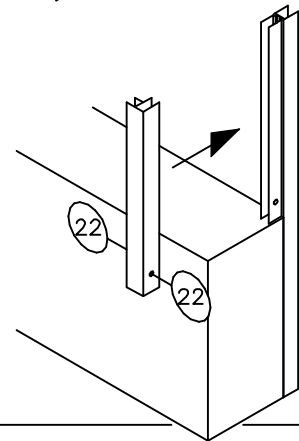
- 2 Place wall jamb #7 on threshold and plumb. Mark hole locations and drill 1/4" holes for plastic anchors. Secure jamb to wall with 10x2 screws.



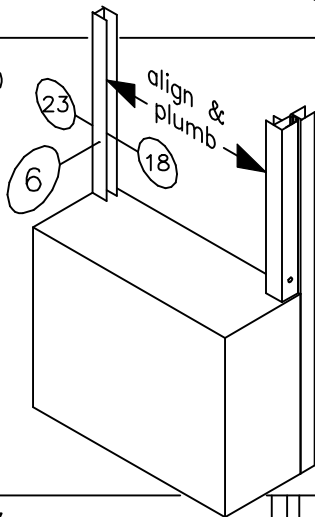
- 3 Place step jamb #9 at step and plumb. Mark hole location for plastic anchor at side of step and drill 1/4" hole. Secure step jamb to step with 10x2 screw.



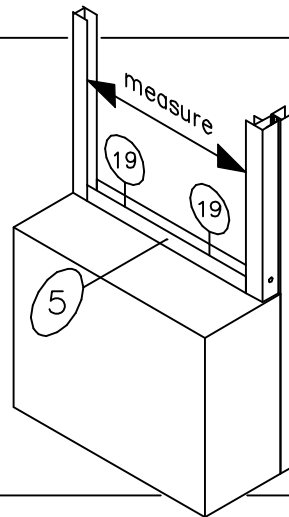
- 4 Place 90° corner post on step and insert into #9 step jamb. Plumb, drill, and attach with 6x3/8 screws.



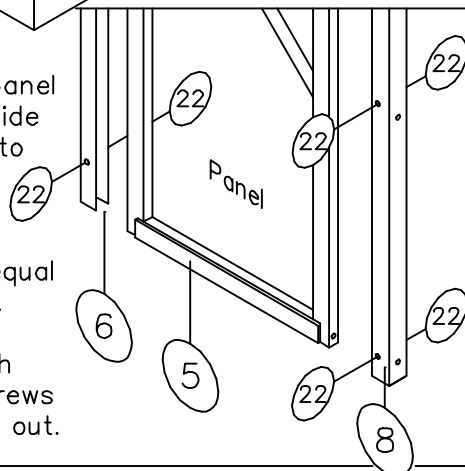
- 5 Align step wall jamb with 90° post. Plumb and mark holes. Drill 1/4" holes, insert anchors and secure with 10x2 flat head screws.



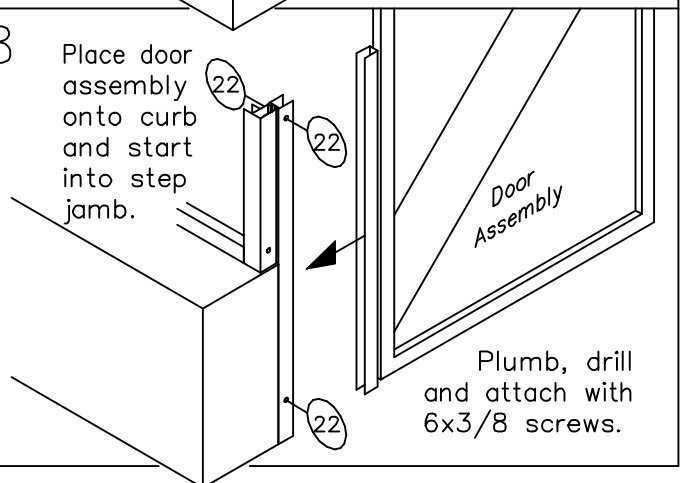
- 6 Measure distance from 90° post to step wall jamb and cut step panel sill to length. Drill and install with 8x1 screws. Seal holes through step.



- 7 Set panel on step panel sill and slide partially into wall jamb. Adjust panel and post for equal expansion. Drill and install with 6x3/8 screws inside and out.



- 8 Place door assembly onto curb and start into step jamb. Plumb, drill and attach with 6x3/8 screws.



NOTE: We recommend filing any sharp corners that may cause injury, then clean and seal unit with a continuous bead of silicone along the outside edges of wall jamb and threshold. Allow sealant to cure 24 hours before using shower. Do not seal inside edges of unit.

9 Strike jamb is notched on both ends to facilitate right or left hand door installation.

After determining which end will be top, trim bottom end even with notch.

10 Center strike on side panel, allowing 3/4" at each end.

Drill and attach strike jamb to panel with 8x3/4 flat head screws.

11 Start side panel into jamb. Adjust panel into wall jamb to provide 1/8" gap between strike and door. Measure clear distance between strike and door jamb at panel top and bottom. Cut fillers to length and install with 8x1 screws at bottom filler.

12 Set side panel on bottom filler and start into wall jamb. Plumb and adjust for 1/8" gap from strike to door. Drill and fix side panel into wall jamb with 6x3/8 screws.

13 Measure for both top panel fillers. Cut to length and place on panels.

14 Measure for panel header from wall to outside of 90° corner post and add 1/4". Cut square wall end of header to that dimension.

Measure for door and panel header from wall to outside edge of step panel header. Cut square end to length.

Assemble headers with 90° splice plate and drill for 6x3/8 screws. Use 6x3/4 screws at jambs and post.

15 Install gutter over gutter vinyl at door bottom with 6x3/8 screws. Be sure gutter slopes down to hinge end, and vinyl extends to within 1/8" of threshold.












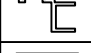
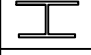


Seal gutter plug to gutter at strike end

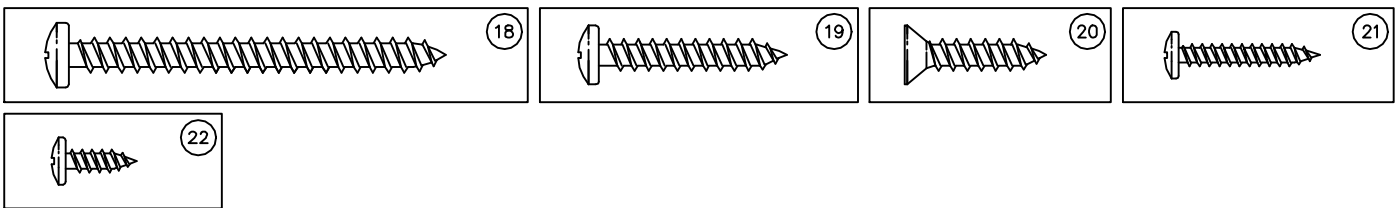
Radius ends of gutter with file

16 To secure threshold, drill holes as illustrated and fasten with 6x3/4 screws.

As an alternative, threshold may be taped into place until sealant dries.

MODEL S-3
 WITH 90°STEP-PANEL

	CAT#:	PART LIST:	LENGTH:	QTY:		HARDWARE PACK:	QTY:
	①	DOOR ASSEMBLY		1		①5	90° SPLICE PLATE 1
	②	SIDE PANEL		1		①6	SPACER BLOCKS 6
	③	STEP PANEL		1		①7	GUTTER PLUG 1
	④	H-25 THRESHOLD		1		①8	10x2 PAN HEAD SCREW 7
	⑤	H-36 STEP PANEL SILL		1		①9	8x1 PAN HEAD SCREW 4
	⑥	H-36 STEP WALL JAMB		1		②0	8x3/4 FLAT HEAD SCREW 3
	⑦	H-36 WALL JAMB	70 1/4"	1		②1	6x3/4 PAN HEAD SCREW 10
	⑧	H-24 90° CORNER POST		1		②2	6x3/8 PAN HEAD SCREW 37
	⑨	H-36 + H-34 STEP JAMB	70 1/4"	1		②3	PLASTIC ANCHOR 7
	⑩	H-18 STRIKE JAMB	70 1/4"	1			
	⑪	H-35 PANEL FILLER		3			
	⑫	H-55 HEADER		2			
	⑬	H-11 GUTTER		1			
	⑭	V-8 GUTTER VINYL		1			



TOOLS REQUIRED FOR INSTALLATION OF MODEL S-3 WITH STEP PANEL:

- | | |
|---|--|
| <ol style="list-style-type: none"> 1. Caulking gun + approved silicone sealant 2. Rubber mallet 3. Hacksaw 4. Philips screwdriver 5. Mill file to smooth cut edges or radius | <ol style="list-style-type: none"> 6. 1/8" drill bit for 6x screws 7. 5/32" drill bit for 10x2 screws 8. 1/4" drill bit for plastic anchors 9. 1/4" carbide drill bit for tile anchors |
|---|--|