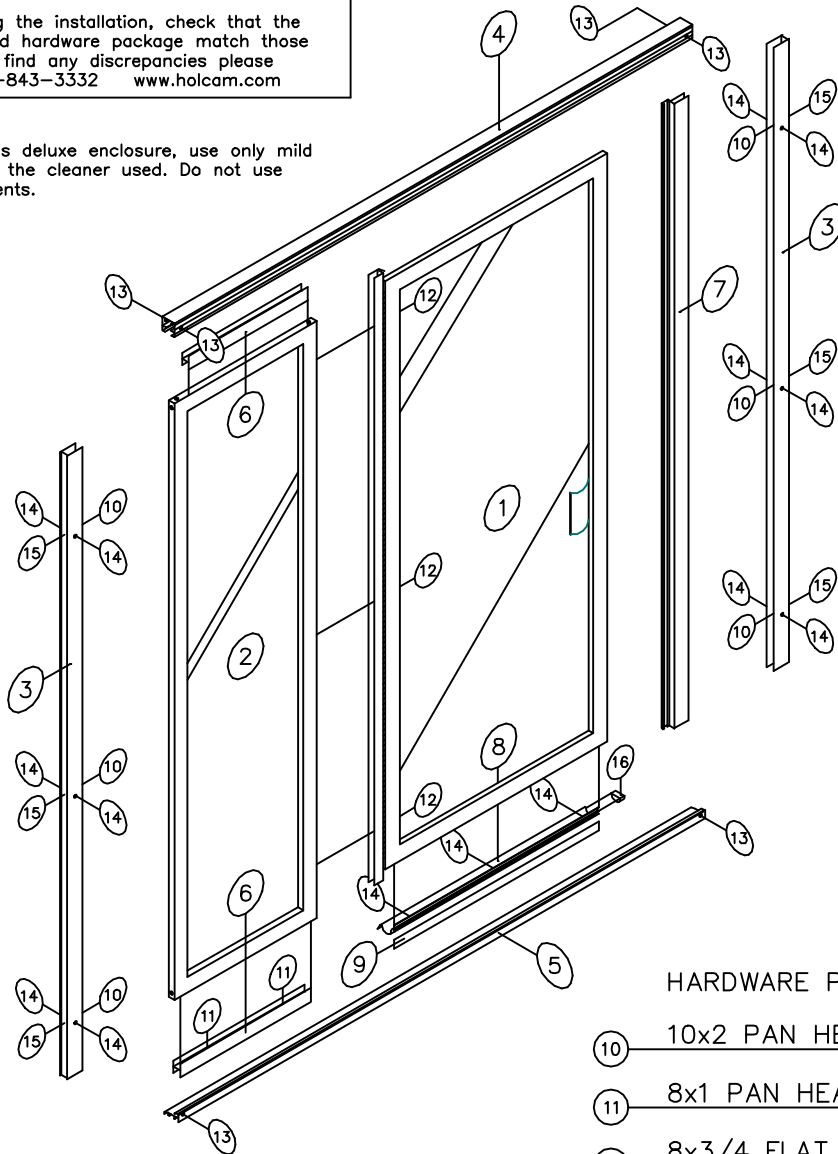


\* PLEASE NOTE: Before beginning the installation, check that the parts contained in the carton and hardware package match those parts listed below. If you should find any discrepancies please contact Holcam Sales at 1-800-843-3332 www.holcam.com

**WARNING:**

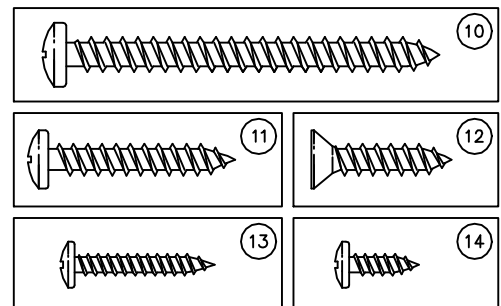
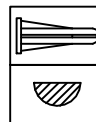
To avoid damaging the finish of this deluxe enclosure, use only mild cleaners. Always read the labels on the cleaner used. Do not use harsh chemicals or abrasive detergents.



CAT#:	PART LIST:	LENGTH:	QTY:
1	DOOR ASSEMBLY		1
2	PANEL ASSEMBLY		1
3	H-31 WALL JAMB	70 1/4"	2
4	H-55 HEADER		1
5	H-25 THRESHOLD		1
6	H-35 PANEL FILLER		2
7	H-17 STRIKE JAMB	69 15/16"	1
8	H-11 GUTTER		1
9	V-8 GUTTER VINYL		1

**HARDWARE PACK:** QTY:

10	10x2 PAN HEAD SCREW	6
11	8x1 PAN HEAD SCREW	2
12	8x3/4 FLAT HEAD SCREW	3
13	6x3/4 PAN HEAD SCREW	6
14	6x3/8 PAN HEAD SCREW	15
15	PLASTIC ANCHOR	6
16	GUTTER PLUG	1



MODEL A-12  
MAGNETIC STRIKE  
HINGE  
OFF PANEL

TOOLS REQUIRED FOR INSTALLATION OF MODEL A-12 WITH HINGE OFF PANEL:

1. Caulking gun + approved silicone sealant
2. Rubber mallet
3. Hacksaw
4. Philips screwdriver
5. Mill file to smooth cut edges or radius
6. 1/8" drill bit for 6x screws
7. 9/64" drill bit for 8x screws
8. 5/32" drill bit for 10x2 screws
9. 1/4" drill bit for plastic anchors
10. 1/4" carbide drill bit for tile anchors

1 Measure finished opening width at bottom of stall. Cut threshold to this dimension. Radius ends if stall has rounded corners (fiberglass).

2 Place wall jambs on threshold and plumb. Mark hole locations and drill 1/4" holes for plastic anchors. Secure jambs to wall with 10x2 screws.

3 Attach hinge jamb of door onto panel so that hinge jamb extends 3/4" beyond top and bottom of panel. Fasten hinge jamb to panel with 8x3/4 flat head screws.

4 Place strike jamb into wall jamb. Slide door and panel assembly into the other wall jamb, then adjust and plumb for 1/8" clear gap between door and strike jamb.

5 Measure distance between wall jamb and hinge jamb under the panel. Cut filler to length, then drill and install with 8x1 screws. Replace door panel assembly.

6 Push or pull on panel in wall jamb to adjust fit of door to strike. Secure strike jamb and panel assembly to wall jambs with 6x3/8 screws, three inside and three outside on each wall jamb.

7 Measure clear distance between hinge jamb and wall jamb at panel top. Cut top filler to fit, then install.

8 Measure wall to wall at top of wall jambs and cut header to size. Place header over jambs and panel filler, and attach with 6x3/4 screws.

9 Locate and drill holes through threshold at wall jambs as illustrated. Secure threshold to wall jambs with one 6x3/4 screw at each end.

10 Install gutter over gutter vinyl at door bottom with 6x3/8 screws. Be sure gutter slopes down to hinge end, and vinyl extends to within 1/8" of threshold.

11 NOTE: We recommend filing any sharp corners that may cause injury, then clean and run a continuous bead of sealant along the outside of the threshold and up the wall jambs.

Do NOT caulk inside of the unit.

NOTE: Polarity of the magnet in the strike jamb may be reversed. To change polarity, remove magnetic strip from strike jamb, turn end for end, and re-install.