



CAT#: PART LIST: LENGTH: QTY.:

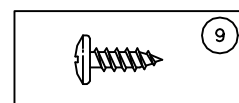
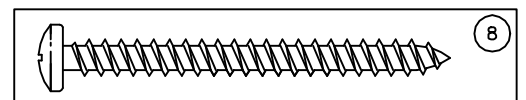
HARDWARE PACK: QTY.:

CAT#	PART LIST	LENGTH	QTY.
1	HINGE TYPE DOOR ASSEMBLY		1
2	H-100 STRIKE JAMB	62"	1
3	H-36 WALL JAMB	62"	2
4	P-25 THRESHOLD		1
5	GUTTER		1
6	HANDLE		1

	7 PLASTIC ANCHOR	6
	8 10x2 PAN HEAD SCREW	6
	9 6x3/8 PAN HEAD SCREW	14
	10 GUTTER PLUG	2
	11 KNOB	1
	12 HANDLE BOLT	2

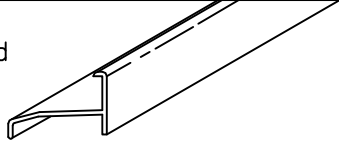
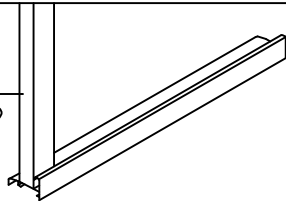
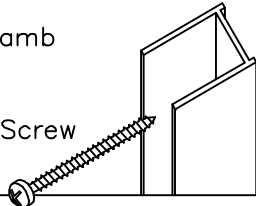

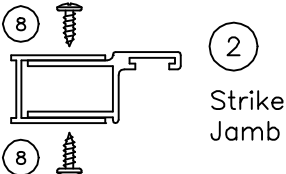
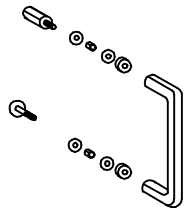
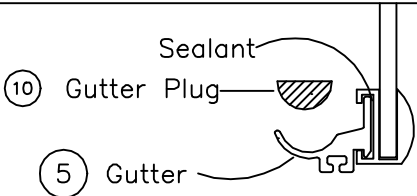
SPECIFICATIONS:

EXPANDABLE SHOWER DOOR
 1" EXPANSIBILITY
 ADAPTABLE TO OFF-SQUARE OPENINGS
 GLASS SIZE C/L - 3 5/8" X 60"
 62 1/2" HIGH



TOOLS REQUIRED FOR H-5000 INSTALLATION

1. One tube approved bathroom sealant
2. Caulking gun
3. Hacksaw
4. Philips screwdriver
5. Mill file to smooth cut edges or radius
6. 1/8" drill bit for 6 x 3/8" screws
7. 5/32" drill bit for 10 x 2" screws
8. 1/4" drill bit for plastic anchors
9. 1/4" carbide drill bit for tile anchor installation

<p>1 Measure opening and cut threshold to measurement minus 1/16". (Radius ends if necessary to fit radius stall.)</p>	<p>④ Threshold</p> 
<p>2 Locate and mark both wall jamps. Be certain jamb is plumbed and placed on threshold.</p>	<p>③ Wall Jamb</p> 
<p>3 Drill holes with 1/4" drill bit and install plastic anchors. Secure #3 wall jamps with #7 10x2 pan head screws.</p>	<p>③ Wall Jamb</p> <p>⑦ 10x2 Screw</p> 
<p>4 Place hinged portion of door into jamb, in extended position. Drill and temporarily fasten with #8 6x3/8 screw at the top.</p>	<p>⑧</p> 
<p>5 Insert #2 strike jamb in #3 wall jamb, and using three #8 6x3/8 screws inside and three #8 screws outside, screw #2 and #3 jamps together. Adjust door and magnetic strike to operate properly.</p> <p>NOTE: If the door does not close properly, reverse the magnet end for end in the strike jamb.</p>	<p>③ Wall Jamb</p> <p>⑧</p> <p>② Strike Jamb</p> <p>⑧</p> 
<p>6 Make final adjustments on door and secure hinge jamb of door to #3 wall jamb with #8 6x3/8 pan head screws. (Use three screws inside and three screws outside.)</p>	
<p>7 Secure threshold to wall with #9, 6x3/8" pan head screw.</p>	<p>⑧ Assemble handle and knob through holes in the glass with the plastic bushings and washers.</p> 
<p>9 Cut vinyl gutter to a length of the door width dimension plus 1" to install. Place a small amount of sealant in channel at bottom of door. Snap gutter into channel.</p> <p>NOTE: Gutter is notched at both ends so it can be used for left or right hand doors. Be sure to cur correct end.</p>	<p>Sealant</p> <p>⑩ Gutter Plug</p> <p>⑤ Gutter</p> 
<p>10 We recommend filling any sharp corners that may cause injuries, then clean and run a continuous bead of sealant outside of threshold and up wall jamps. NOTE: Do not caulk inside of the unit.</p>	