

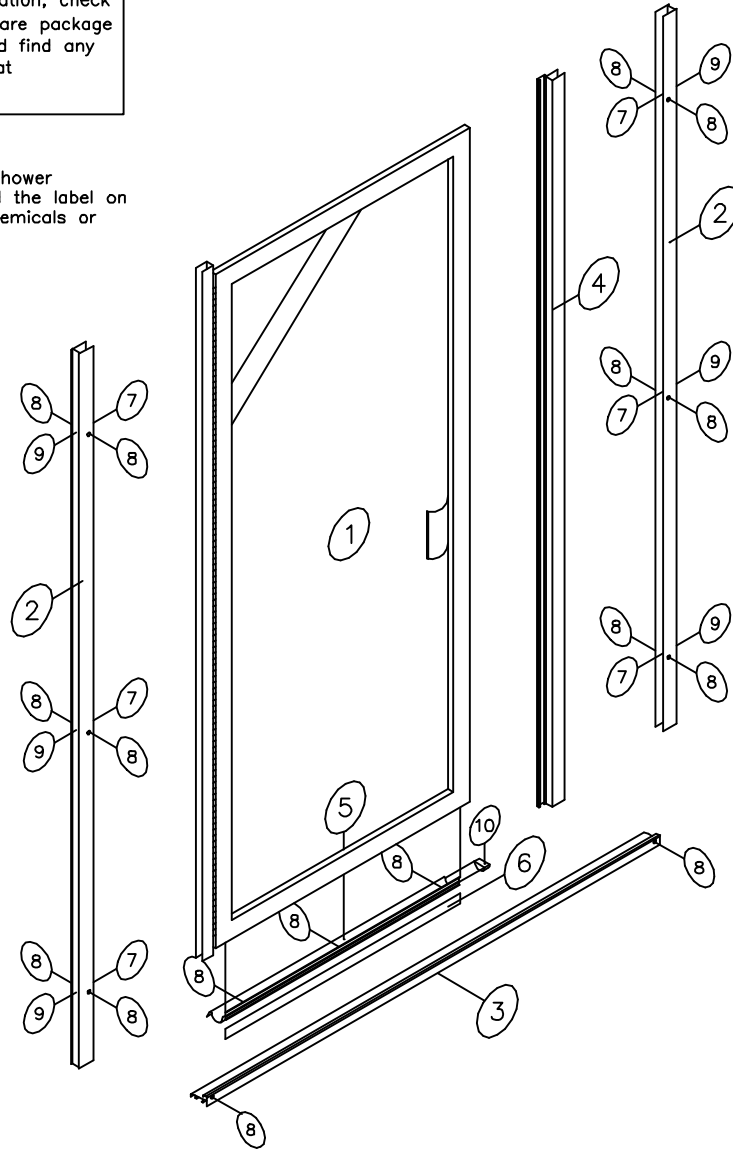


MODEL MX WITH MAGNETIC STRIKE

*** PLEASE NOTE:** Before beginning installation, check that parts contained in the carton and hardware package match those parts listed below. If you should find any discrepancies please contact Holcam Sales at 800-843-3332

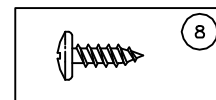
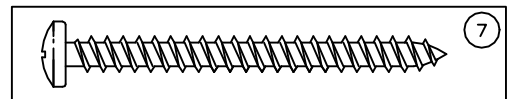
WARNING:

To avoid damaging the finish of this deluxe shower enclosure, use only mild cleaners. Always read the label on the cleaner to be used. Do not use harsh chemicals or abrasive detergents



	CAT#:	PART LIST:	LENGTH:	QTY:
	1	H-5 DOOR ASSEMBLY	63 1/2"	1
	2	H-36 WALL JAMB	63 1/2"	2
	3	P-25 THRESHOLD		1
	4	H-3 STRIKE JAMB	63 1/2"	1
	5	H-11 GUTTER		1
	6	V-8 GUTTER VINYL		1

	HARDWARE PACK:	QTY:
	7 10x2 PAN HEAD SCREW	6
	8 6x3/8 PAN HEAD SCREW	17
	9 PLASTIC ANCHOR	6
	10 GUTTER PLUG	1



SPECIFICATIONS:

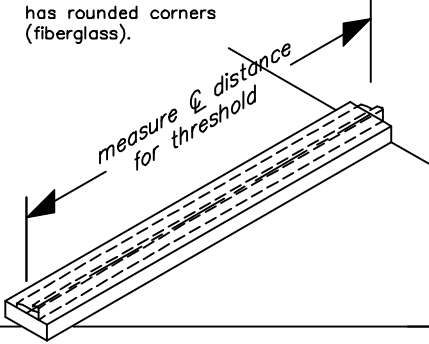
EXPANDABLE SHOWER DOOR
1" EXPANSIBILITY
ADAPTABLE TO OFF SQUARE OPENINGS

MODEL MX
MAGNETIC STRIKE

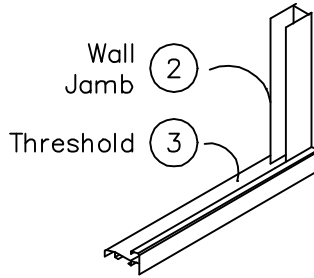
TOOLS REQUIRED FOR INSTALLATION OF MODEL MX DOOR:

1. Caulking gun + approved silicone sealant
2. Rubber mallet
3. Hacksaw
4. Philips screwdriver
5. Mill file to smooth cut edges or radius
6. 1/8" drill bit for 6x screws
7. 9/64" drill bit for 8x screws
8. 5/32" drill bit for 10x2 screws
9. 1/4" drill bit for plastic anchors
10. 1/4" carbide drill bit for tile anchors

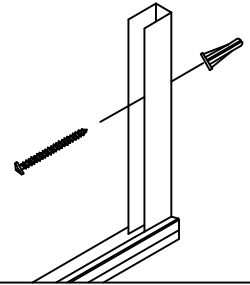
- 1 Measure finished opening width at bottom of stall. Cut threshold to this dimension. Radius ends if stall has rounded corners (fiberglass).



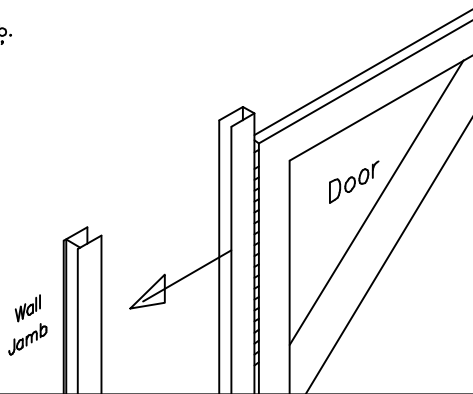
- 2 Place wall jambs on threshold and plumb. Mark hole locations and drill 1/4" holes for plastic anchors.



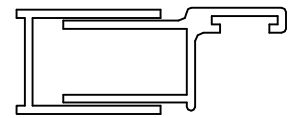
- 3 Install plastic anchors. Secure wall jambs with 10x2" pan head screws.



- 4 Place hinge portion of door into wall jamb. Drill and temporarily fasten with a 6x3/8" sheet metal screw.

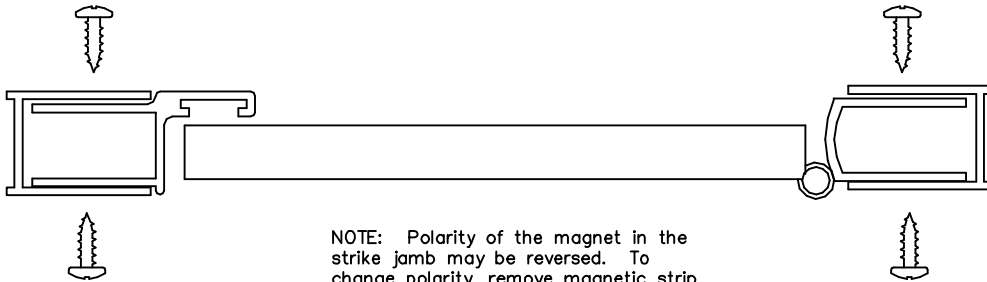


- 5 Insert strike jamb into wall jamb. Adjust door and strike jamb so magnetic catch operates properly.



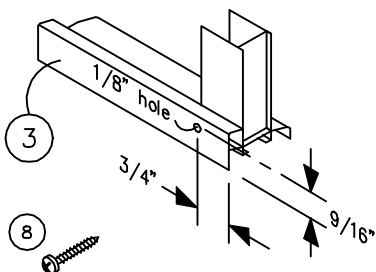
Note: the strike jamb and the door hinge slide in wall jambs to allow for adjustment to be made.

- 6 Make final adjustments and secure jambs with 6x3/8" pan head screws. Three screws should be used inside and on the outside of the jambs.

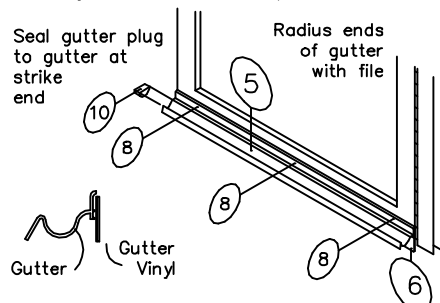


NOTE: Polarity of the magnet in the strike jamb may be reversed. To change polarity, remove magnetic strip from strike jamb, turn end for end, and re-install.

- 7 Locate and drill holes through threshold at wall jambs as illustrated. Secure threshold to wall jambs with one 6x3/4 screw at each end.



- 8 Install gutter over gutter vinyl at door bottom with 6x3/8 screws. Be sure gutter slopes down to hinge end, and vinyl extends to within 1/8" of threshold.



- 9 NOTE: We recommend filing any sharp corners that may cause injury, then clean and run a continuous bead of sealant along the outside of the threshold and up the wall jambs. Do NOT caulk inside of the unit.