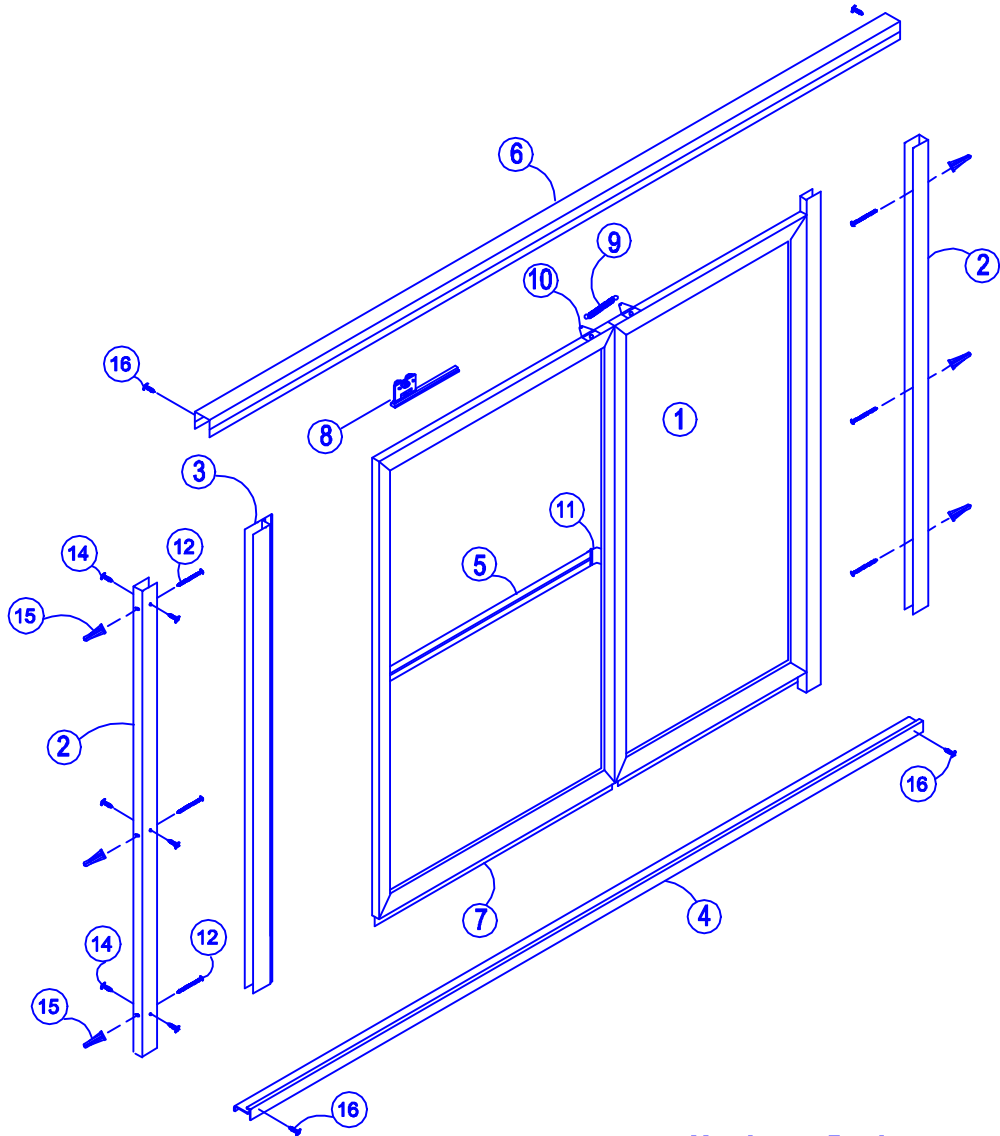
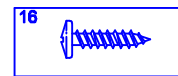
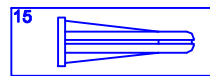
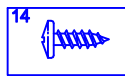
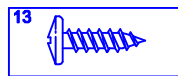
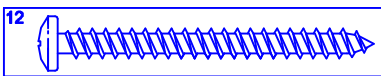
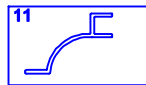
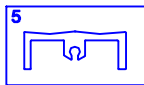
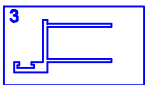
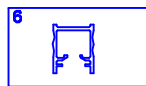
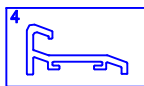
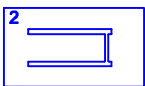




# BI-FOLD TUB AND SHOWER ENCLOSURE A - 7 & A - 8



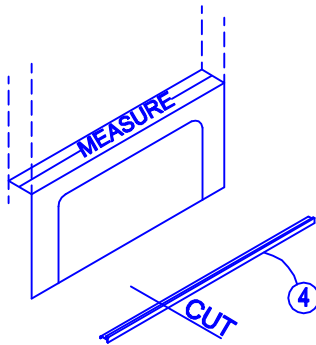
Parts List	Qty.	Part #	Hardware Pack	Qty.
1. Door Assembly	1		8. Roller Assembly	1
2. Wall Jamb	2	H-31	9. Spring	1
3. Strike	1	H-17	10. Spring Bracket	2
4. Track	1	H-25	11. Towel Bar Bracket	2
5. Towel Bar	1	H-19	12. #10 x 2" Pan Head Screw	6
6. Header	1	H-40	13. #8 x 5/8" Pan Head Screw	2
7. T-Vinyl			14. #6 x 3/8" Pan Head Screw	18
			15. Plastic Anchors	6
			16. #6 x 3/4" Pan Head Screw	4



## TOOLS REQUIRED FOR A-7 & A-8 INSTALLATION

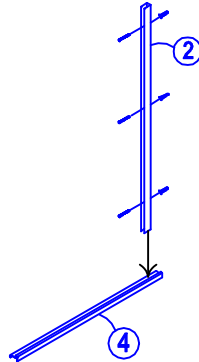
- |  |  |
|--|--|
| 1. One tube approved bathroom sealant      | 6. 1/8" drill bit for 6 x 3/8" screws                  |
| 2. Caulking gun                            | 7. 1/4" drill bit for plastic anchors                  |
| 3. Hacksaw                                 | 8. 1/4" carbide drill bit for tile anchor installation |
| 4. Philips screwdriver                     | 9. Rubber mallet                                       |
| 5. Mill file to smooth cut edges or radius |  |

- 1** Measure opening of stall or tub at centerline of sill. Cut #4, threshold to size and place on sill with slope facing towards inside of shower.

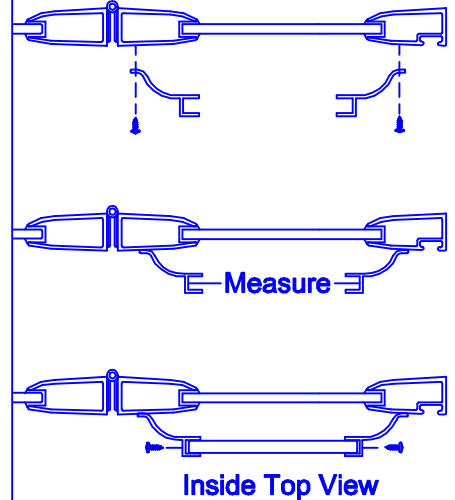


**NOTE:**  
If necessary radius ends of track to match radius corners of stall.

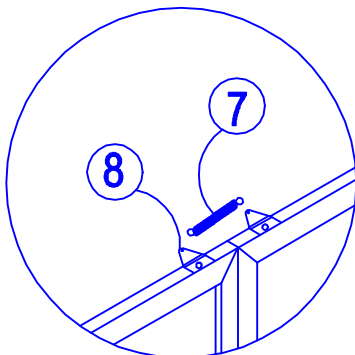
- 2** Place #2, wall jamb down on top of threshold. Plumb and mark hole locations. Drill 1/4" holes and insert plastic anchors. Secure jamb to wall with 10x2" pan head screw. Repeat for opposite wall jamb.



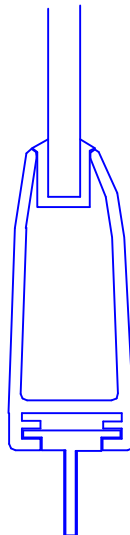
- 3** Install towel bar on door by attaching brackets to door frame with 6x3/8" panhead screws. Measure inside u-channel of brackets. Cut towel bar to size and attach to brackets with 8x5/8" pan head screw.



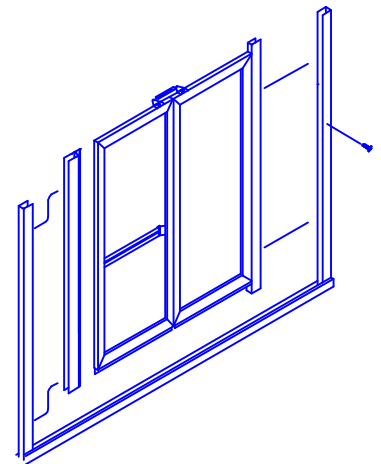
- 4** Slide spring brackets into top channel of door panels. The brackets should be pointed towards the towel bar side of the door. Install spring on brackets. **Do not secure brackets at this time.**



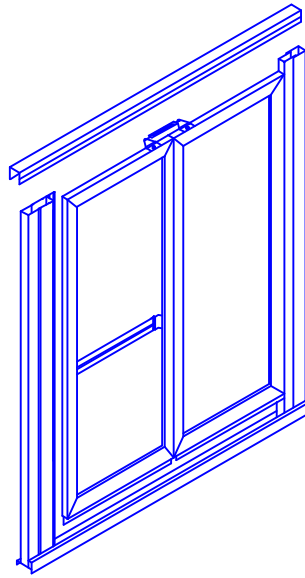
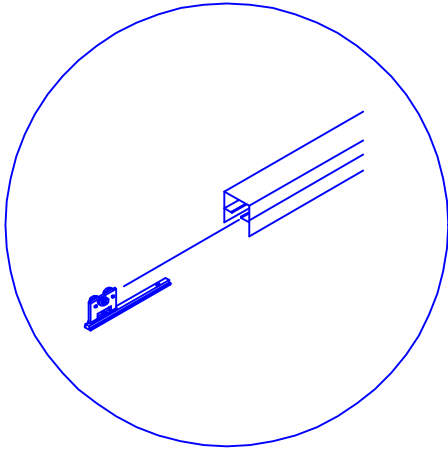
- 5** Cut T-Vinyl to fit each panel. Slide into each panel bottom channel.



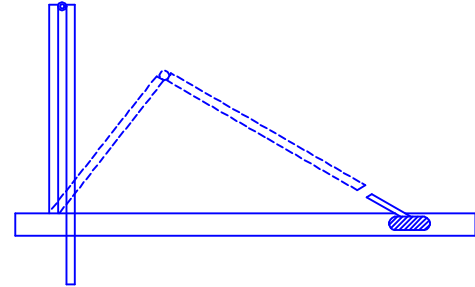
- 6** Install strike jamb into wall jamb. Install door, plumb door and strike jamb. Temporarily secure door to wall jamb with one #6 x 3/8" pan head screw at center position .



**7** Measure wall to wall at top of jambs. Cut header to size and slide roller assembly inside header. Install header on top of jambs.

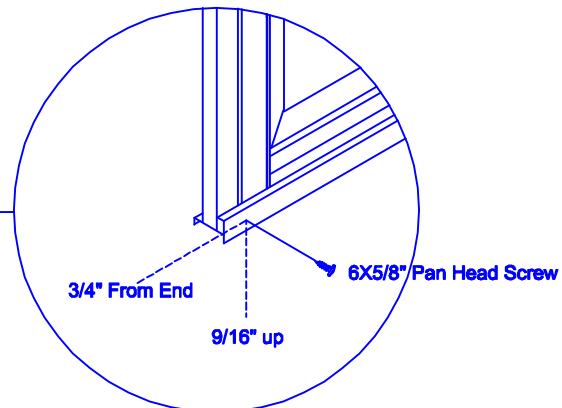
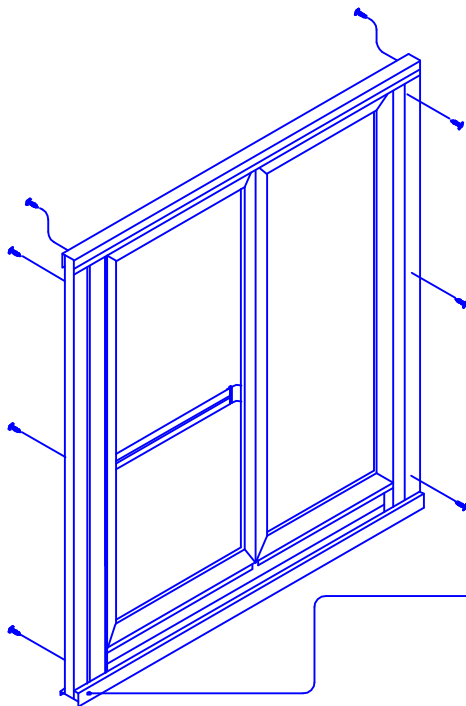


**8** Partially fold open door. Insert slide of roller assembly into channel on top edge of panel. Fold door to full open position and secure roller assembly with lock screw. Operate door to check for proper adjustment. Adjust spring brackets to provide enough tension to hold door straight when in the closed position.



TOP CUT-AWAY VIEW

**9** Drill 1/8" holes through wall jamb and hinge jamb. Secure with #6x3/8" pan head screws, on the inside and outside of jamb. Check adjustment of strike and then drill 1/8" holes and secure with #6x3/8" panhead screws, on the inside and outside of jamb. Secure threshold to wall jamb as shown in detail drawing. Attach header at top of wall jambs with #6x3/4" panhead screw.



We recommend running a continuous bead of sealant around outside of threshold and up the outside of the wall jambs.