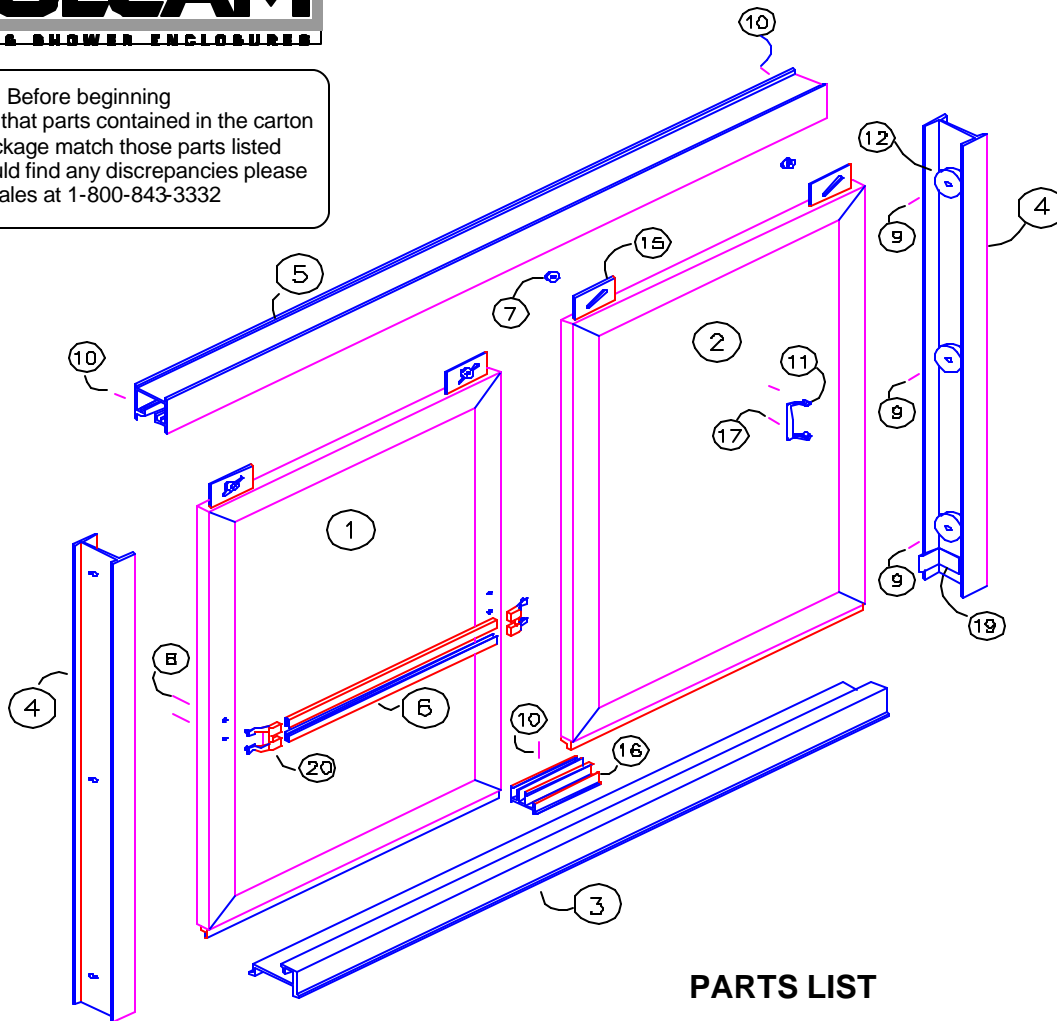




MODELS AT-6 & AT-9

*** PLEASE NOTE:** Before beginning installation, check that parts contained in the carton and hardware package match those parts listed below. If you should find any discrepancies please contact Holcam Sales at 1-800-843-3332

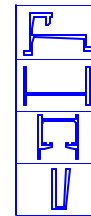


PARTS LIST

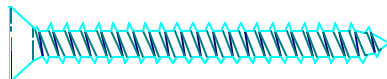
TOOLS REQUIRED FOR INSTALLATION

1. Phillips tip screwdriver
2. Caulking gun
3. Hacksaw
4. Silicone bath sealant
5. Mill file to radius and smooth edges
6. 1/8" drill bit for 6x3/8" screws
7. 5/32" drill bit for 10x2" screws
8. 1/4" drill bit for plastic anchors
9. 1/4" carbide drill bit for ceramic tile anchor installation

ITEM	NAME	QTY.	PART NO.
1.	Door With Towel Bar	1	
2.	Door With Handle	1	
3.	Track	1	H-200
4.	Wall Jamba	2	H-12
5.	Header	1	H-15
6.	Towel Bar	2	H-75



8. #8X7/16"



9. #10X2"



10. #6X3/8"



13. #8X3/8"



17. #6X5/8"



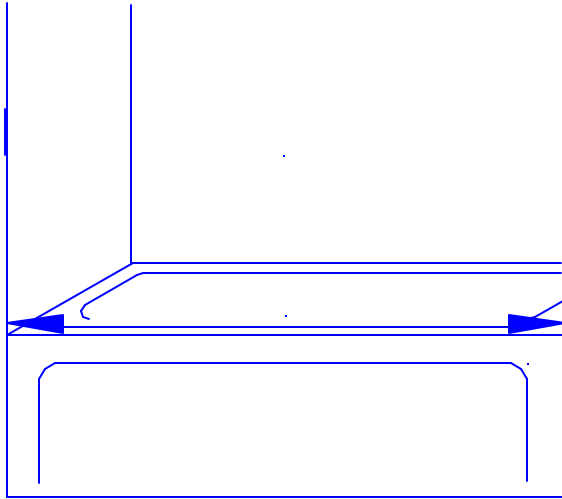
18. PLASTIC ANCHOR

HARDWARE PACK

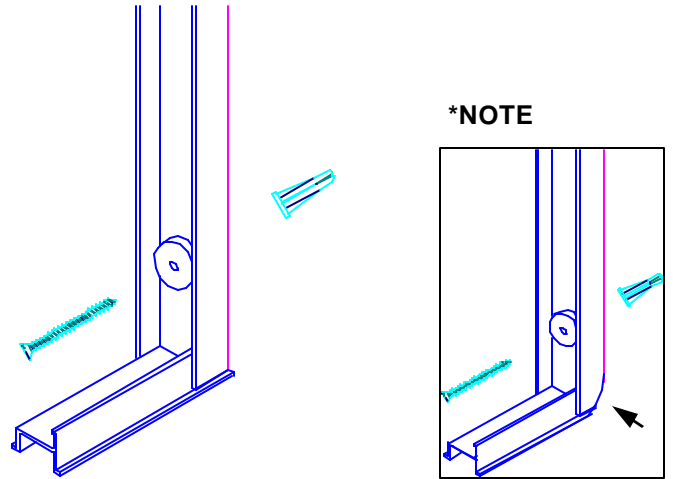
7.	Roller	4
8.	8X7/16" Flat Head Screw	4
9.	10X2" Flat Head Screw	6
10.	6X3/8" Pan Head Screw	3
11.	Handle	6
12.	Bumper	6
13.	8X3/8" Pan Head Screw	4
14.	Lock Washer	4
15.	Hanger Bracket	4
16.	Panel Guide	1
17.	6X5/8" Flat Head Screw	2
18.	Plastic Anchor	6
19.	Jamb Guide	2
20.	Towel Bar Bracket	2

INSTALLATION INSTRUCTIONS FOR MODELS AT-6 & AT-9

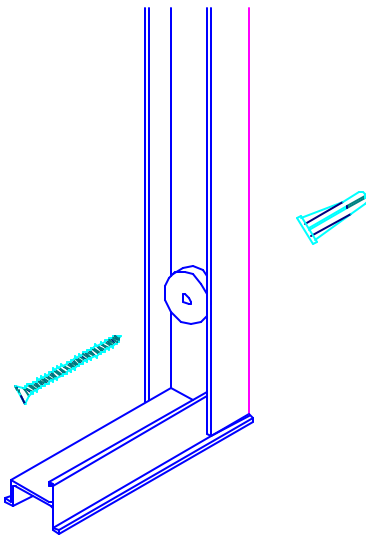
1. Measure wall to wall along centerline of tub or shower sill. Cut #3 track 5/8" less than measurement. Set track with slope towards inside of tub or shower.



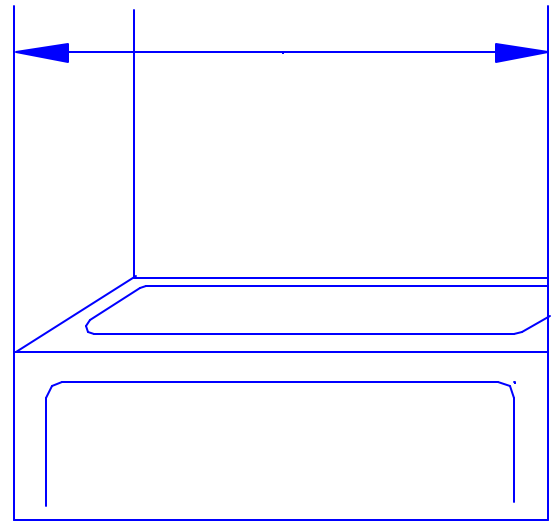
2. Place #4 wall jamb at end of track to fit down on lip of track. *NOTE: On some tubs and showers it may necessary to file corners of wall jambs to match radius of the sill.



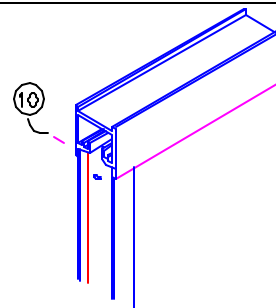
3. Plumb, mark hole locations and drill mounting holes. Install #4 wall jamb with # 9-10x2" screw through # 12 bumpers. Use plastic anchors for thin walls, sheetrock or tile.



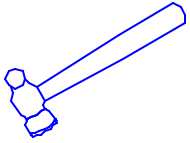
4. Measure wall to wall at top of wall jambs and cut # 5 header 1/16" less than measurement.



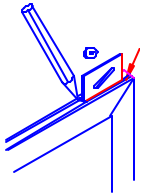
5. Install header on top of wall jambs. Drill 1/8" hole through header and wall jamb. Secure with # 10-6 x 3/8" panhead screw at each end on the inside of enclosure.



6. Assemble door panels. See end view for location and position of brackets and rollers.

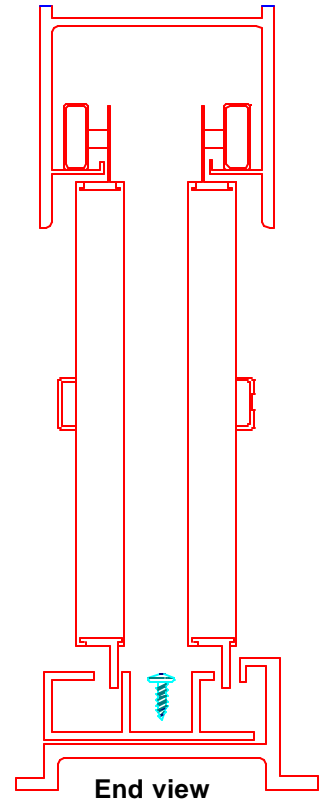
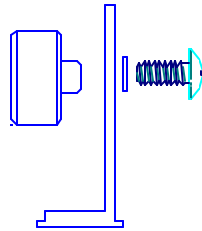


Slide hanger brackets into channel on top of panel, position bracket even with side rail and stake rail and bracket in place.

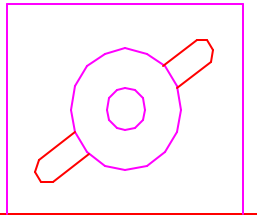


Stake here also

Install rollers on hanger brackets as illustrated. Center roller on bracket and secure with 8x3/8" pan head screw and lockwasher.

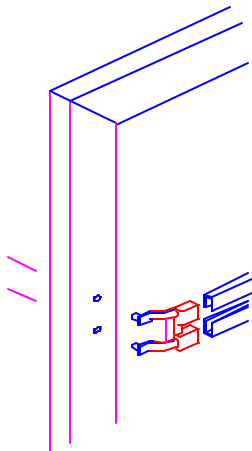


End view

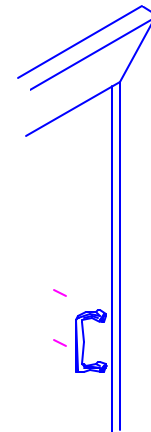


Adjustment to bring door panels flush with wall jambs may be made by moving rollers in the diagonal slot in hanger bracket.

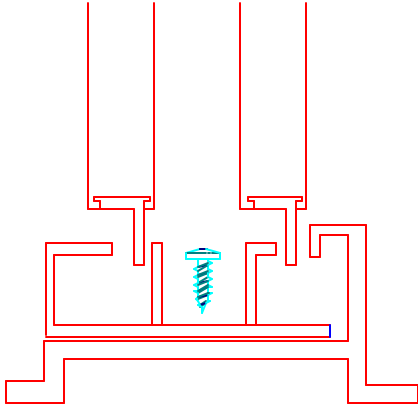
7. Install one # 20 towel bar bracket on outside panel with two #8-8x7/16" flathead screws. Insert both towel bars # 6 and install second towel bar bracket.



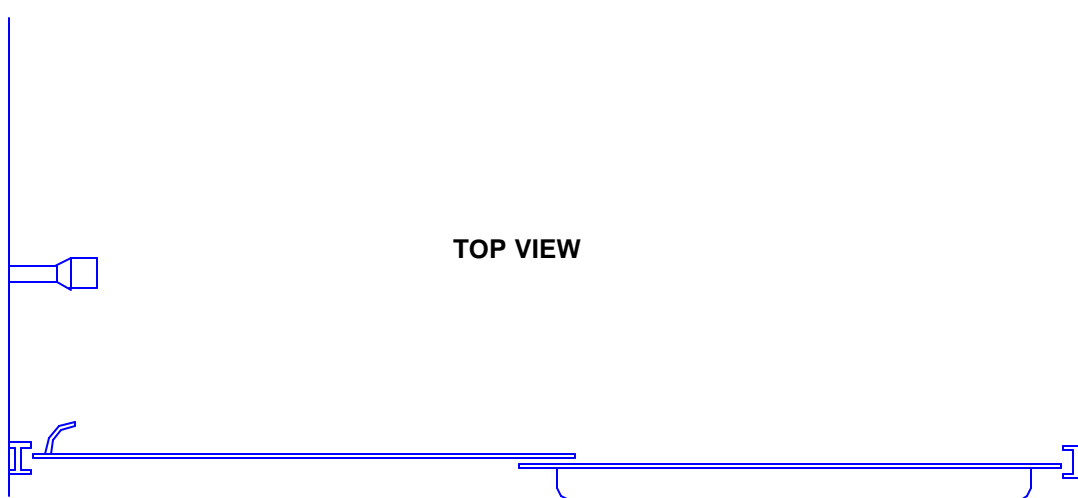
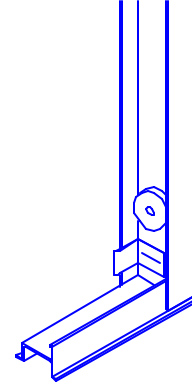
8. Install handle on inside panel with two # 17-6x5/8" flathead screws. Hang and adjust panels to wall jambs. From inside of tub hang outside panel, then hang inside panel.



9. Place # 16 panel guide at center of track, mark hole location and drill 1/8" hole in track. Secure guide to track with one # 10-6x3/8" panhead screw.



10. Install # 19 jamb guides by removing tape backing and then attaching at lower inside leg of wall jamb as shown.



When shower is in use inside panel should be at shower head side.

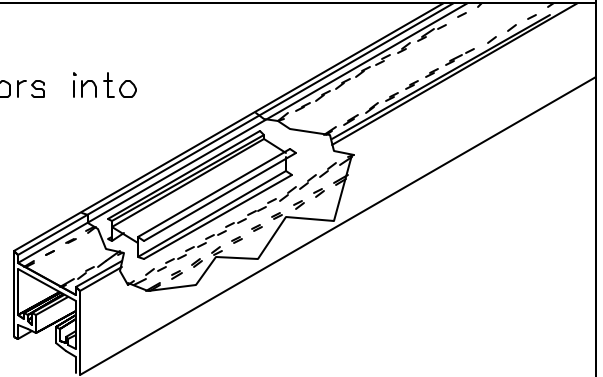
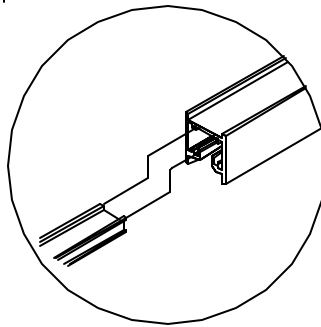
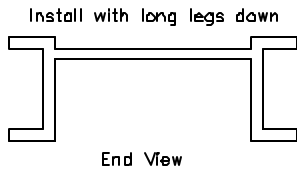
SEALING INSTRUCTIONS

We recommend filing any sharp corners that could cause injury.
Clean unit thoroughly and run a continuous bead of silicone on outside leading edge of unit.
Also seal where wall jamb and track meet.
Do not seal inside edge of unit to allow for drainage.
Allow silicone to cure for 24 hours before using shower.

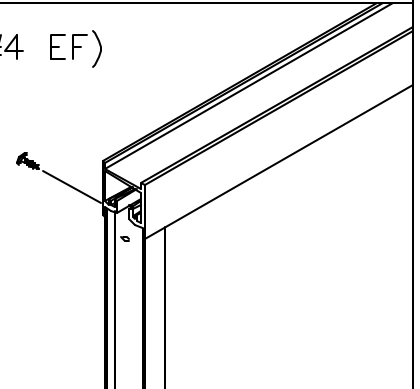


PANEL JUMP OUT RESTRICTOR INSTALLATION FOR AT & F SERIES ENCLOSURES

1. Once the header has been cut to size, slide all three H shaped jump out restrictors into the channel in the top inside of header.



2. Install the header as per (step #5 AT & F) (step #4 EF) in the instruction sheet, securing the header to the wall jamba with #6x1/4" pan head screws. Then slide the jump out restrictors to one end of the header.



3. Hang and adjust the panels per the instruction sheet. Once the final adjustments have been made do the following:

- * Slide both panels to one side.
- * Slide one restrictor to the end of header and tighten set screw.
- * Position the middle restrictor to be centered over the rollers on the panels in the center of header and tighten the set screw.
- * Slide both panels to the opposite end of the header and position the remaining restrictor at the end of the header. Tighten the set screw.

