




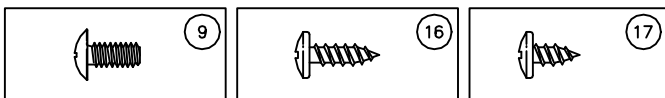
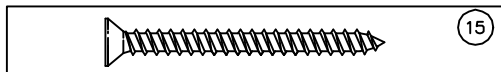



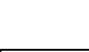



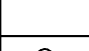


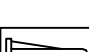
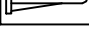


CAT#: PART LIST: QTY.:

	1	DOOR PANEL	2
	2	HEADER	1
	3	TRACK	1
	4	WALL JAMB	2
	5	TOWEL BAR	1



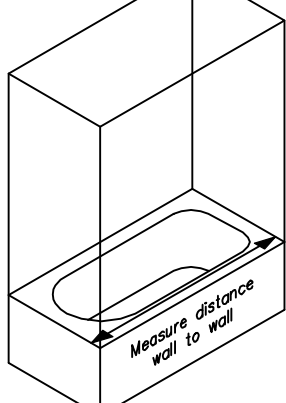
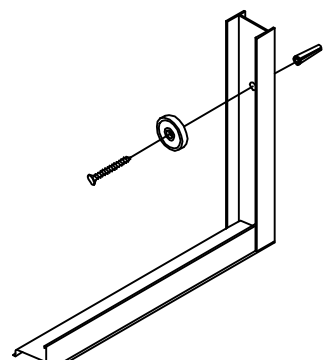
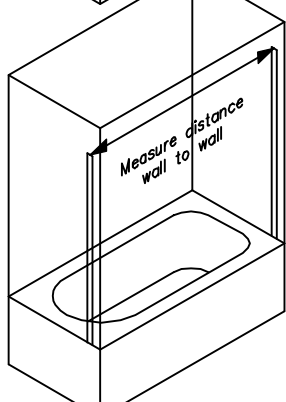
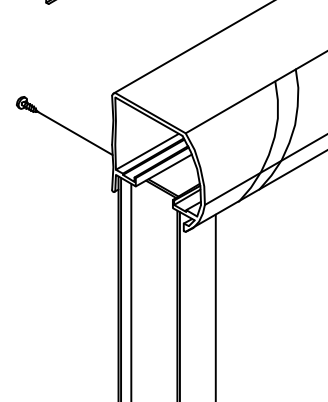
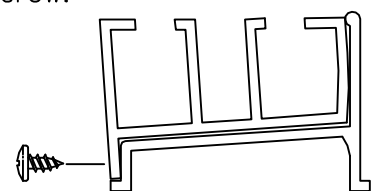
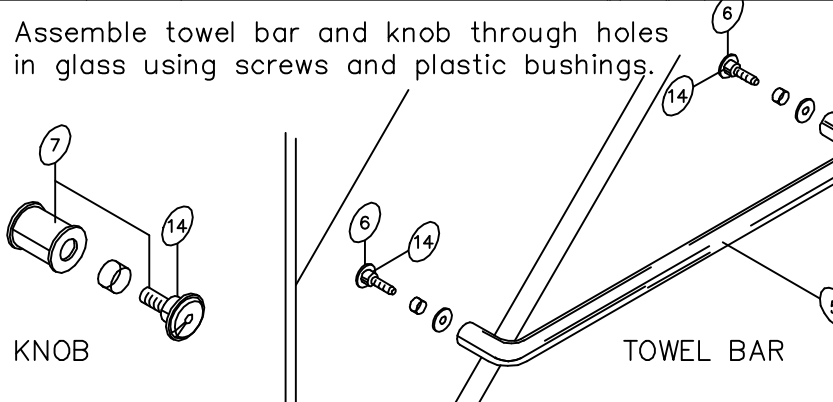
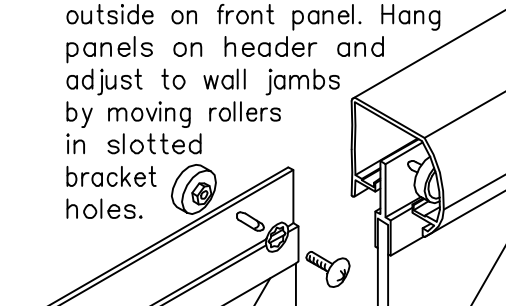
HARDWARE PACK: QTY.:

	6	TOWEL BAR SCREW	2
	7	KNOB + KNOB SCREW	2 EA.
	8	ROLLER	4
	9	ROLLER SCREW	4
	10	BUMPER	6
	11	GUIDE	1
	12	LOCK WASHER #8	4
	13	JAMB GUIDE	2
	14	PLASTIC BUSHING	3
	15	10x2 FLAT HEAD SCREW	6
	16	6x3/8 PAN HEAD SCREW	2
	17	PLASTIC ANCHORS	6

MODEL EF-4 INSTALLATION INSTRUCTIONS

TOOLS REQUIRED FOR THE HOLCAM MODEL EF-4 INSTALLATION

1. Caulking gun
2. Approved silicone sealant
3. Hacksaw
4. Philips screwdriver
5. Mill file to smooth cut edges or radius
6. 1/8" drill bit for 6x screws
7. 5/32" drill bit for 10x2 screws
8. 1/4" drill bit for plastic anchors
9. 1/4" carbide drill bit for tile anchor

<p>1 Measure wall to wall on sill of tub. Cut track to a length of 5/8" less than wall to wall dimension. Center track on tub sill with slope down to inside.</p> 	<p>NOTE: It may be necessary to radius ends of track and wall jambs to match radius of sill.</p>	<p>2 Locate wall jambs at ends of track. Plumb and mark holes. Drill 1/4" holes and insert anchors. Secure jambs with 10x2 flat head screws and bumpers.</p> 
<p>3 Measure wall to wall at top of jambs. Cut header to a length of 1/16" less than wall to wall dimension. Locate header on top of wall jambs.</p> 		<p>4 Drill 1/8" hole on the inside where header overlaps wall jamb. Secure each end with one 6x3/8 pan head screw.</p> 
<p>5 Locate panel guide on track. Center and mark hole location, then drill 1/8" hole and secure with 6x1/4 pan head screw.</p> 		<p>6 Assemble towel bar and knob through holes in glass using screws and plastic bushings.</p>  <p style="text-align: center;"> KNOB TOWEL BAR </p>
<p>7 Install rollers in slotted holes of hanger brackets, facing inside on back panel and outside on front panel. Hang panels on header and adjust to wall jambs by moving rollers in slotted bracket holes.</p> 		<p>8 Install jamb guides on wall jambs. Remove tape backing and press firmly into place on lower inside leg of wall jamb.</p> 