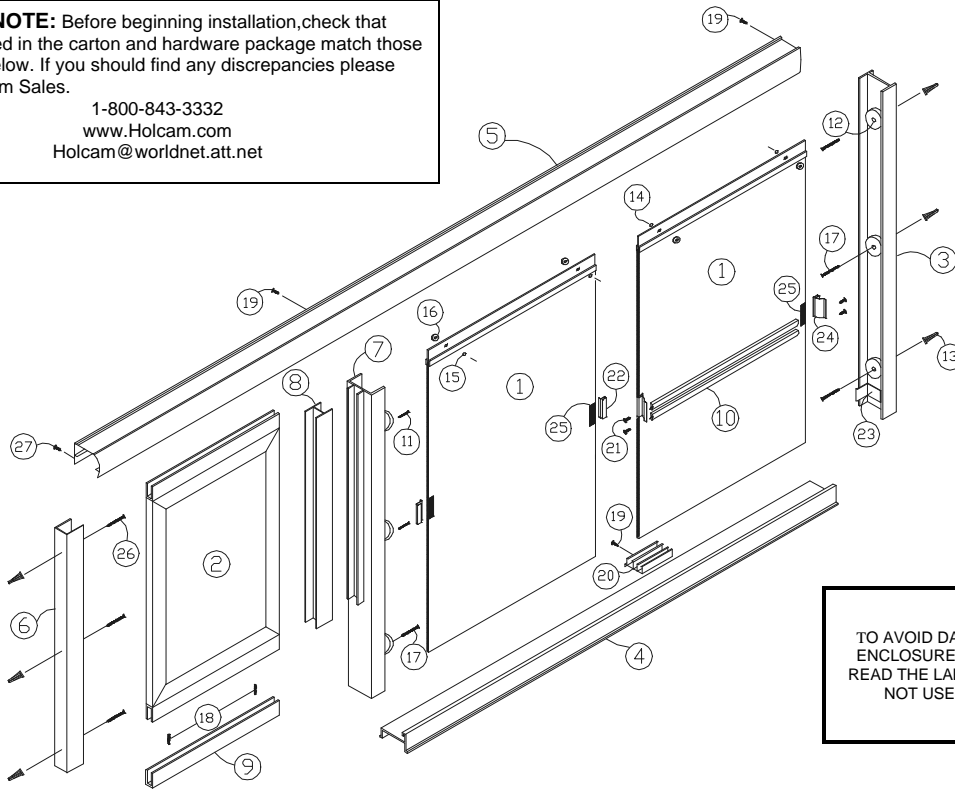


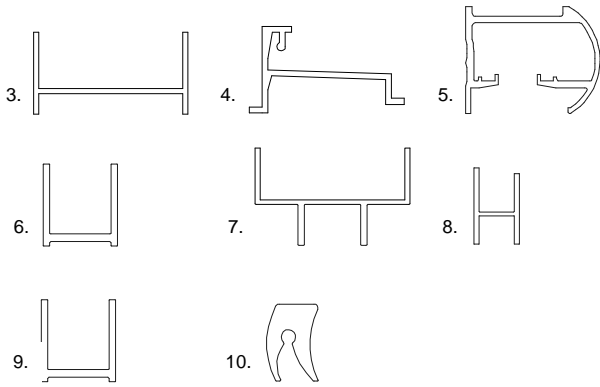
**\* PLEASE NOTE:** Before beginning installation, check that parts contained in the carton and hardware package match those parts listed below. If you should find any discrepancies please contact Holcam Sales.

1-800-843-3332  
www.Holcam.com  
Holcam@worldnet.att.net



**\* WARNING\***  
TO AVOID DAMAGING THE FINISH OF THIS DELUXE ENCLOSURE, USE ONLY MILD CLEANERS. ALWAYS READ THE LABEL ON THE CLEANER TO BE USED. DO NOT USE HARSH CHEMICALS OR ABRASIVE DETERGENTS

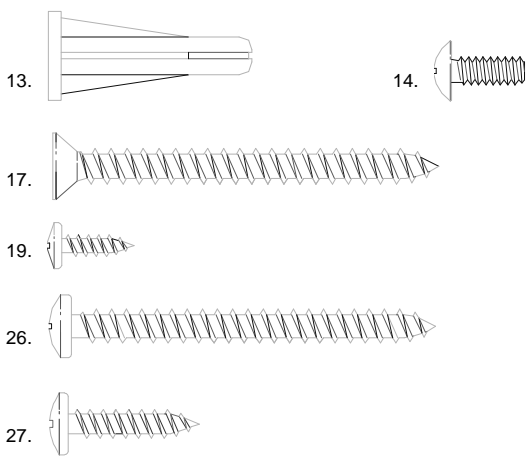
**PARTS LIST**



ITEM	NAME	QTY	PART #
1.	Glass Door Panel	2	
2.	Glass Step Panel	1	
3.	Wall Jamb	1	H-12
4.	Threshold	1	H-200
5.	Header	1	H-215
6.	Panel Wall Jamb	1	H-36
7.	Transition Wall Jamb	1	H-41
8.	Transition Filler	1	H-35
9.	Step Panel Bottom Channel	1	H-36
10.	Towel Bar	2	H-125

Towel Bars

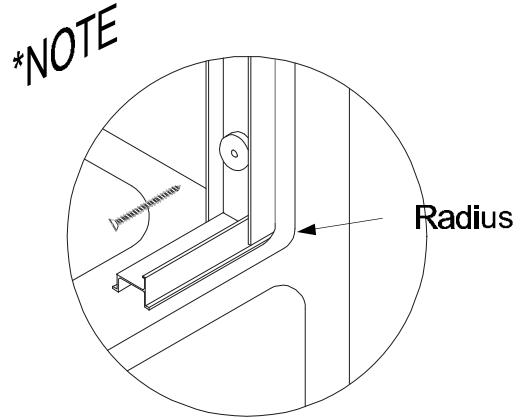
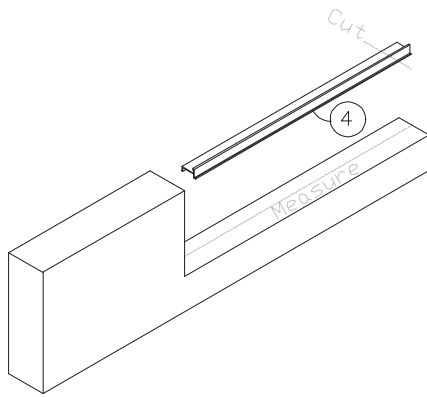
**HARDWARE PACK**



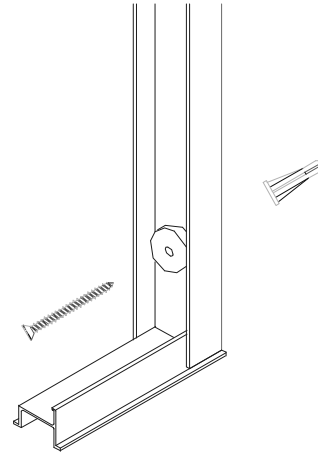
11.	#10 x 3/4" Flat Head Screw	2
12.	Bumper	6
13.	Plastic Anchors	7
14.	#8-32 x 3/8" Truss Head Screw	4
15.	Lock Washer	4
16.	Roller	4
17.	#10 x 2" Flat Head Screw	4
18.	#8 x 1" Pan Head Screw	2
19.	#6 x 3/8" Pan head Screw	18
20.	Panel Guide	1
21.	#6 x 5/8" Pan Head Screw	4
22.	Finger Pull	2
23.	Jamb Guide	2
24.	Towel Bar Bracket	2
25.	Rubber Pad	4
26.	#10 x 2" Pan Head Screw	3
27.	#6 x 3/4" Pan Head Screw	1

# INSTALLATION INSTRUCTIONS MODEL F-14 INLINE STEP TUB ENCLOSURE

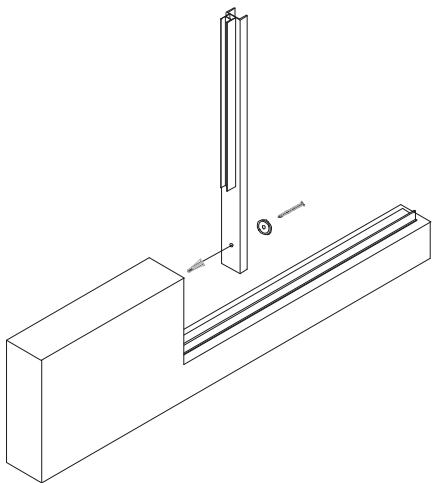
1. Measure centerline of sill. Cut #4 threshold 3/8" less than measurement. Position threshold with slope towards the inside of the stall. Note: It may be necessary to radius threshold and wall jamb to match radius of stall.



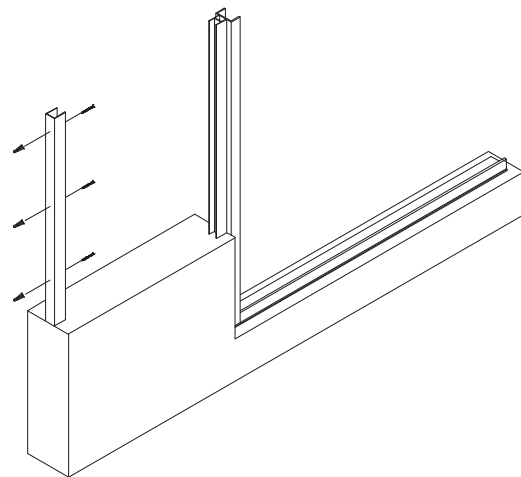
2. Place wall jamb # 3 down over end of threshold, plumb and mark hole locations. Drill 1/4" holes. Insert plastic anchors and secure jamb to wall with #10x2" flat head screws through bumpers.



3. Place transition wall jamb #7 down over end of threshold. Plumb jamb and mark hole location on stub wall. Remove jamb. Drill 1/4" hole and insert plastic anchor. Reinstall wall jamb and secure to stub wall with #10x2" flat head screw through bumper

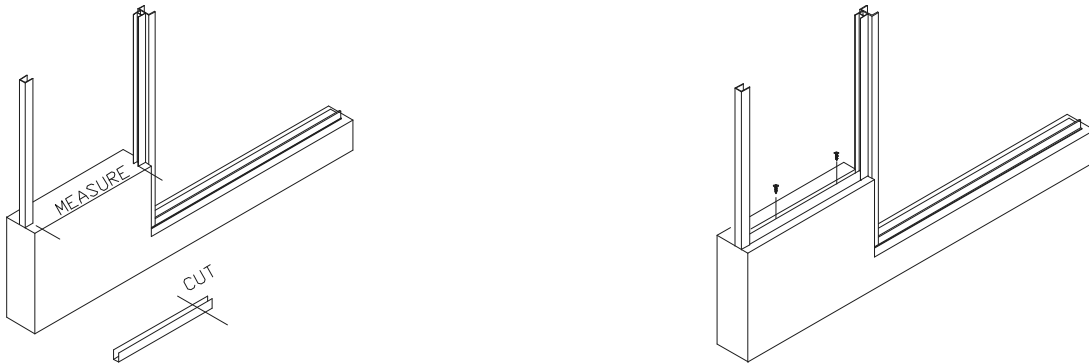


4. Align #6, panel wall jamb with channel of transition wall jamb. Plumb panel wall jamb and mark hole locations. Drill 1/4" holes and insert plastic anchors. Secure jamb to wall with #10x2" pan head screws.



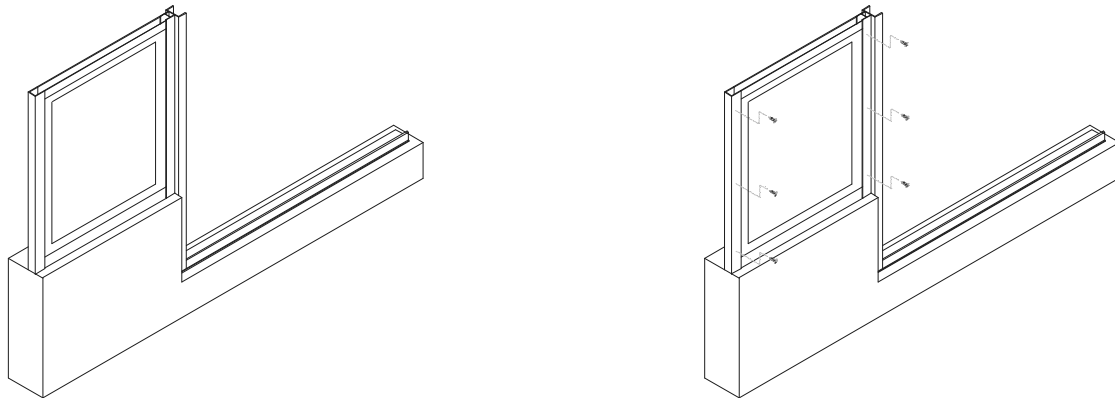
---

5. Measure distance between panel wall jamb and transition jamb. Cut the step panel bottom channel to size. **Drill two or more drain holes along inside bottom edge of the bottom channel.** Place channel in-between jambs and mark hole locations. Drill 1/8" holes. Put a dab of silicone in holes and secure channel with #8x1" pan head screws.



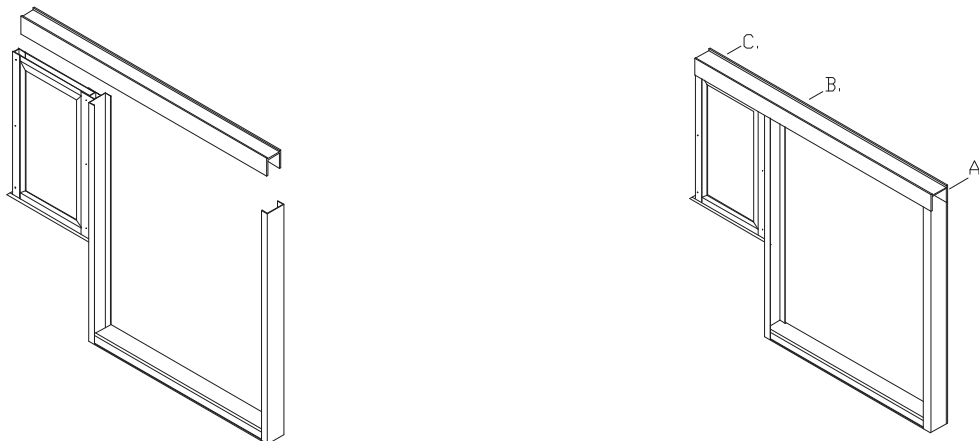
---

6. Loosen screw holding transition jamb to stub wall. Install step panel in wall jamb and bottom channel. Position transition jamb over edge of panel and tighten screw in stub wall. Plumb panel to achieve even reveal in jambs. Drill 1/8" holes through jambs and panel. Secure panel to jambs with #6x3/8" pan head screws.

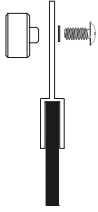


---

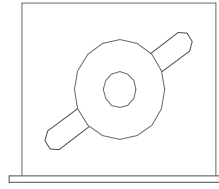
7. Measure wall to wall at top of unit. Cut the header 1/16" less than measurement. Install header over the top of wall jambs. Secure header to jambs at location A & B with # 6x3/8" pan head screws. Secure header at location C with # 6x3/4" pan head screw.



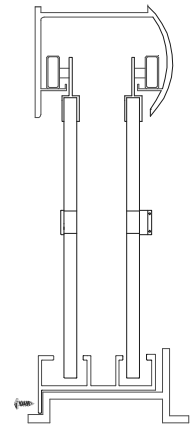
9. Assemble door panels. See end view for location and position of brackets and rollers.



Install rollers on hanger brackets as illustrated. Center roller on bracket and secure with 8-32x3/8" truss head screw and lockwasher.



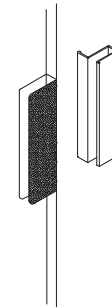
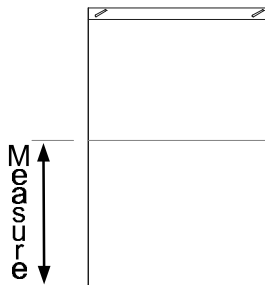
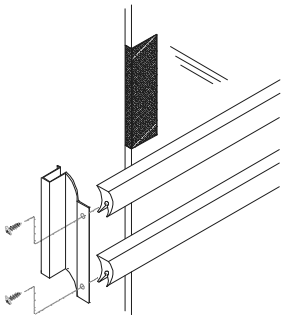
Adjustment to bring door panels flush with wall jambs may be made by moving rollers in the diagonal slot in hanger bracket.



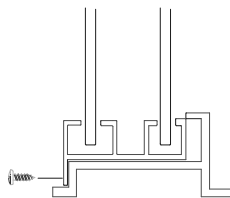
END VIEW

10. Install # 24, towel bar brackets on outside panel. Determine placement of towel bar brackets by measuring up from bottom edge of glass panel. Place rubber pad around edge of glass and tap bracket into place. Trim excess rubber even with edge of bracket. Install towel in brackets with #25, 6x3/4" pan head screws.

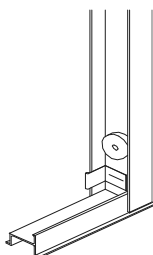
11. Install finger pulls on inside panel. Determine placement of finger pulls by measuring up from bottom edge of glass panel. Place rubber pad around edge of glass and tap finger pull into place. Trim excess rubber even with finger pull. Hang and adjust panels to wall jambs. From inside of tub hang and adjust outside panel, then hang and adjust inside panel.



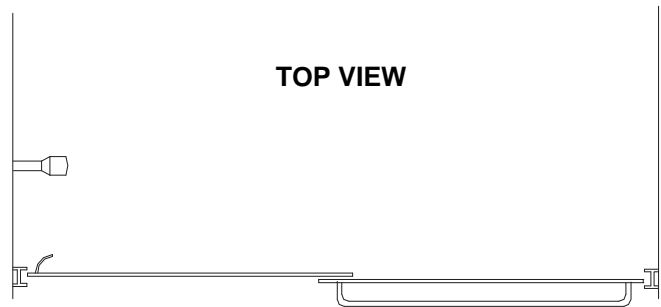
12. Slide # 20 guide under panels to the center of the threshold. Drill 1/8" hole through guide and threshold. Secure guide to threshold with one 6x3/8" pan head screw.



Install # 23 jamb guide by removing tape backing and then attaching at lower inside leg of wall jamb as shown.



TOP VIEW



### SEALING INSTRUCTIONS

We recommend filling any sharp corners that could cause injury. Clean unit thoroughly and run a continuous bead of silicone on outside leading edge of unit. Also seal where wall jamb and track meet. Do not seal inside edge of unit to allow for drainage. Allow sealant to cure for 24 hours before using shower.